

KitchenAid®

STAND MIXER ATTACHMENTS

FOOD GRINDER FGA

FRUIT/VEGETABLE STRAINER FVSFGA/FVSP

FOOD TRAY FT

INSTRUCTIONS

ACCESSOIRES DU BATTEUR SUR SOCLE

HACHOIR FGA

PRESSE FRUITS/LÉGUMES FVSFGA/FVSP

PLATEAU D'ALIMENTS FT

INSTRUCTIONS

ADITAMENTOS PARA LA BATIDORA CON BASE

MOLINO FGA

COLADOR DE FRUTAS Y VEGETALES FVSFGA/FVSP

BANDEJA PARA ALIMENTOS FT

INSTRUCCIONES



These attachments have been approved for use with all KitchenAid® household stand mixers.

L'utilisation de ces accessoires a été approuvée pour tous les batteurs sur socle ménagers de KitchenAid®

Estos aditamentos se han aprobado para usarse con todas las batidoras domésticas con base KitchenAid®

U.S.A.: 1-800-541-6390
Canada: 1-800-807-6777

KitchenAid.com
KitchenAid.ca



Proof of Purchase

Always keep a copy of the sales receipt showing the date of purchase of your Stand Mixer Attachment. Proof of purchase will assure you of in-warranty service.

Please complete the following for your personal records:

Model Number _____

Date Purchased _____

Store Name and Location _____

Preuve d'achat

Veillez conserver une copie du coupon de caisse indiquant la date d'achat des Accessoires Du Batteur Sur Socle. La preuve d'achat vous assure le service après-vente sous garantie.

Veillez remplir ce qui suit pour votre dossier personnel:

Numéro de modèle _____

Date d'achat _____

Nom du magasin et emplacement _____

Comprobante de compra

Siempre conserve una copia del recibo de ventas que especifique la fecha de compra de su Aditamento para la batidora con base. El comprobante de compra le asegurará el servicio técnico bajo garantía.

Complete lo siguiente para su registro personal:

Número del modelo _____

Fecha de compra _____

Nombre de la tienda y dirección _____

Table of Contents

INTRODUCTION

Proof of Purchase	Inside Front Cover
Stand Mixer Attachment Safety.....	3
Important Safeguards	3

FEATURES AND OPERATION

To Attach Stand Mixer Attachment	4
Before Attaching Stand Mixer Attachment.....	4
Food Grinder Attachment	4
To Assemble Food Grinder Attachment.....	4
To Use Food Grinder Attachment.....	5
To Clean Food Grinder Attachment.....	5
Fruit/Vegetable Strainer Attachment.....	6
To Assemble Fruit/Vegetable Strainer Attachment	6
To Use Fruit/Vegetable Strainer Attachment	6
To Strain Fruits and Vegetables	6
To Clean Fruit/Vegetable Strainer Attachment	7
Food Tray Attachment.....	8
To Attach Food Tray Attachment.....	8
To Use Food Tray Attachment	8
To Clean Food Tray Attachment	8

Table of Contents

RECIPES

Smoky Salsa	9
Swedish Meatballs with Cream Sauce	9
Bolognese Sauce.....	10
Pesto Sauce	10
Golden Peach Chutney.....	11
Harvest Apple Butter.....	11
Hummus.....	11

WARRANTY AND SERVICE INFORMATION

KitchenAid® Stand Mixer Attachment Warranty	12
Hassle-Free Replacement Warranty – 50 United States and District of Columbia	13
Hassle-Free Replacement Warranty – Canada	13
How to Arrange for Warranty Service in Puerto Rico	13
How to Arrange for Service after the Warranty Expires – All Locations	14
How to Arrange for Service Outside these Locations	14
How to Order Accessories and Replacement Parts	14

Stand Mixer Attachment Safety

Your safety and the safety of others are very important.

We have provided many important safety messages in this manual and on your appliance. Always read and obey all safety messages.



This is the safety alert symbol.

This symbol alerts you to potential hazards that can kill or hurt you and others.

All safety messages will follow the safety alert symbol and either the word “DANGER” or “WARNING.” These words mean:

⚠ DANGER

You can be killed or seriously injured if you don't immediately follow instructions.

⚠ WARNING

You can be killed or seriously injured if you don't follow instructions.

All safety messages will tell you what the potential hazard is, tell you how to reduce the chance of injury, and tell you what can happen if the instructions are not followed.

IMPORTANT SAFEGUARDS

When using electrical appliances, basic safety precautions should always be followed including the following:

1. Read all instructions.
2. To protect against risk of electrical shock, do not put mixer in water or other liquid.
3. Close supervision is necessary when any appliance is used by or near children.
4. Unplug from outlet when not in use, before putting on or taking off parts, and before cleaning.
5. Avoid contacting moving parts. Keep fingers out of discharge opening.
6. Do not operate the mixer with a damaged cord or plug or after the mixer malfunctions, or is dropped or damaged in any manner. Return the mixer to the nearest Authorized Service Center for examination, repair or electrical or mechanical adjustment.
7. The use of attachments not recommended or sold by KitchenAid may cause fire, electric shock or injury.
8. Do not use the mixer outdoors.
9. Do not let the cord hang over the edge of table or counter.
10. Never feed food by hand. Always use combination food pusher/wrench.
11. Blades are sharp. Handle carefully.
12. This product is designed for household use only.

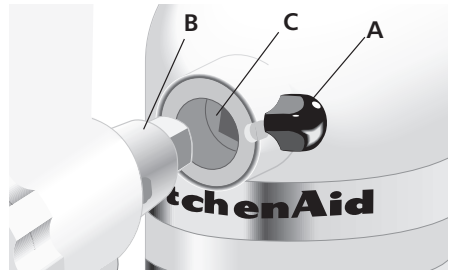
SAVE THESE INSTRUCTIONS

To Attach Stand Mixer Attachment

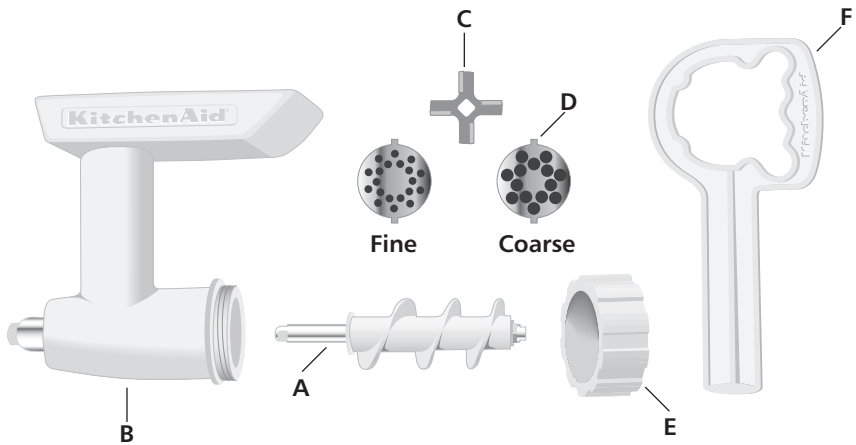
Before Attaching Stand Mixer Attachment

1. Turn Stand Mixer speed control to OFF.
2. Unplug mixer.
3. Loosen the attachment knob (A) by turning it counterclockwise.
4. Remove the attachment hub cover or flip up hub cover.
5. Insert the attachment shaft housing (B) into the attachment hub (C) making certain that attachment power shaft fits into square hub socket.
6. It may be necessary to rotate the attachment back and forth. When the attachment is in proper position, the pin on the attachment housing will fit into the notch on the hub rim.

7. Tighten the attachment knob by turning it clockwise until the attachment is completely secured to mixer.



Food Grinder Attachment



To Assemble Food Grinder Attachment

1. Insert the grind worm (A) into the grinder body (B).
2. Place the knife (C) over the square shank at the exposed end of the grind worm.
3. Place grinding plate (D) over the knife, matching the tabs of the plate with the notches of the grinder body.
4. Place ring (E) on grinder body, turning by hand until secured but not tightened.
NOTE: The combination food pusher/wrench (F) is used for removal of ring (E) only. Do not use it to tighten ring (E).
NOTE: Fruit/Vegetable Strainer (Model FVSP) is available to convert Food Grinder to a Fruit/Vegetable Strainer.
Sausage Stuffer (SSA) is available to convert Food Grinder to Sausage Stuffer.

Food Grinder Attachment

To Use Food Grinder Attachment

! WARNING



Rotating Blade Hazard

Always use food pusher.

Keep fingers out of openings.

Keep away from children.

Failure to do so can result in amputations or cuts.

1. Cut food into small strips or pieces and feed them into hopper. Meat should be cut into long narrow strips.
2. Turn mixer to Speed 4 and feed food into hopper using combination food pusher/wrench.

NOTE: Liquid may appear in hopper when processing large amounts of high moisture foods such as tomatoes or grapes. To drain liquid, continue to operate mixer. To avoid damage to mixer, do not process additional food until liquid has drained from hopper.



Coarse Plate – Use for grinding raw or cooked meats, firm vegetables, dried fruits and cheese.



Fine Plate – Use for grinding raw meat, cooked meats for spreads and breadcrumbs.

Grinding Meat – For better mix and more tender results, grind beef twice. Best texture results from grinding very cold or partially frozen meat. Fatty meats should be ground only once.

Grinding Bread – To grind bread for crumbs, be sure that bread is either oven dried thoroughly to remove all moisture, or not dried at all. Partially dried bread may jam the Food Grinder.

NOTE: Very hard, dense foods such as totally dried homemade bread should not be ground in the Food Grinder. Homemade bread should be ground fresh and then oven or air-dried.

To Loosen Ring – If ring is too tight to remove by hand, slip the combination food pusher/wrench over the grooves and turn counterclockwise.

NOTE: To avoid damage to the food grinder attachment, do not use combination food pusher/wrench to tighten ring to grinder body.

To Clean Food Grinder Attachment

First completely disassemble food grinder attachment.

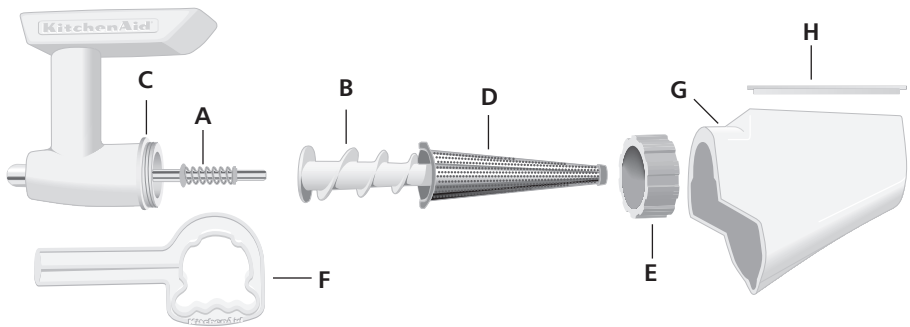
The following parts are dishwasher safe:

- Grinder body
- Grinder worm
- Ring
- Combination food pusher/wrench

The following parts should be hand washed in warm, sudsy water and dried thoroughly:

- Knife
- Grinding plate

Fruit/Vegetable Strainer Attachment



To Assemble Fruit/Vegetable Strainer Attachment

1. Slide the smaller end of spring and shaft assembly (A) into opening in larger worm (B) until secured firmly in place.
2. Insert the larger worm into the grinder body (C).
3. Attach strainer cone (D) over the exposed end of the worm matching the tabs of the cone with the notches in the grinder body.
4. Place ring (E) onto the grinder body, turning by hand until finger tight, but not overtightened.

NOTE: The combination food pusher/wrench (F) is used for removal of ring (E) only. Do not use it to tighten ring (E).

5. Slide the strainer tray (G) over the cone and latch on the top of ring.
6. Place splash shield (H) on strainer tray.

To Use Fruit/Vegetable Strainer Attachment

2. Cut food into pieces that will fit in the hopper.
3. Turn mixer to Speed 4 and feed food into hopper using the combination food pusher/wrench.

To Strain Fruits and Vegetables

- Cut into pieces that will fit into hopper
- Remove tough, thick skin or rind, for example, oranges
- Remove all large pits, for example, peaches
- Remove hulls or stems, for example, strawberries, grapes
- Cook all tough or firm fruits and vegetables before straining

NOTE: Liquid may appear in hopper when processing large amounts of high moisture foods such as tomatoes or grapes. To drain liquid, continue to operate mixer. To avoid damage to mixer, do not process additional food until liquid has drained from hopper.

1. After attaching Fruit/Vegetable Strainer attachment to mixer, place mixer bowl under strainer tray to catch strained food and a smaller bowl under open end to catch food waste.

! WARNING



Rotating Blade Hazard

Always use food pusher.

Keep fingers out of openings.

Keep away from children.

Failure to do so can result in amputations or cuts.

Fruit/Vegetable Strainer Attachment

NOTE: To avoid damage to the fruit/vegetable strainer attachment and/or mixer, Labruscan or slip-skin type grapes such as Concord, Catawba and Ontario grapes should not be processed in the Fruit/Vegetable Strainer. Only Ninifera family grapes such as Tokay and Thompson Seedless may be processed.

To Clean Fruit/Vegetable Strainer Attachment

First completely disassemble fruit/vegetable strainer attachment.

The following parts are dishwasher safe:

- Grinder body
- Grinder worm
- Strainer cone
- Strainer tray
- Splash shield
- Ring
- Combination food pusher/wrench

The following parts should be hand washed in warm, sudsy water and dried thoroughly:

- Spring and shaft assembly

Some foods may stain certain parts. These stains may be removed by using one of the following methods: (1) place dishwasher safe parts in dishwasher and use cycle for normally soiled dishes, or (2) rub a small amount of oil or shortening over the stains, wash in warm, sudsy water and rinse. A small bottle brush can be used to help remove pulp from the strainer cone.

To Loosen Ring – If ring is too tight to remove by hand, slip the combination food pusher/wrench over the grooves and turn counterclockwise.

NOTE: To avoid damage to the fruit/vegetable strainer attachment, do not use combination food pusher/wrench to tighten ring to grinder body.

Fruit/Vegetable Strainer Parts (Model FVSP) are available to convert a Model FGA Food Grinder to a Fruit/Vegetable Strainer.

Food Tray Attachment

ENGLISH



To Attach Food Tray Attachment

Before attaching food tray attachment:

1. Turn Stand Mixer speed control to OFF.
2. Unplug mixer. The Food Tray Attachment is designed to be used with the Food Grinder (model FGA) and the Fruit/Vegetable Strainer (model FVSFGA) attachments.
3. Attach Food Grinder or Fruit/Vegetable Strainer Attachment to stand mixer.
4. Slide front of Food Tray Attachment forward over back of hopper until it rests firmly in place.

To Use Food Tray Attachment

! WARNING



Rotating Blade Hazard

Always use food pusher.

Keep fingers out of openings.

Keep away from children.

Failure to do so can result in amputations or cuts.

1. Fill Food Tray Attachment with food cut into pieces that will fit in the hopper.
2. Turn mixer to Speed 4 and feed food into hopper using combination food pusher/wrench.

To Clean Food Tray Attachment

Wash in warm sudsy water. If you wish, you may place on top rack of your dishwasher.

Smoky Salsa

- 4 large tomatoes, peeled and cut into sixths
- 1 or 2 chipotle peppers
- 1 medium onion, cut into sixths
- 1 clove garlic
- ¹/₃ cup (80 mL) vinegar
- 1 teaspoon (5 mL) salt

Assemble Food Grinder, using coarse grinding plate. Attach Food Grinder to mixer. Turn to Speed 4 and grind tomatoes, peppers, onion, and garlic into large bowl or saucepan placed under grinder. Add all remaining ingredients; mix well. For thicker salsa, heat mixture to boiling in saucepan. Reduce heat to low. Cook 5 to 10 minutes, or until desired consistency.

Tip: Chipotle peppers are dried, smoked jalapeño peppers. If they are not available, substitute fresh jalapeño peppers and 1 drop of liquid smoke.

Yield: 20 servings (2 tablespoons [30 mL] per serving).

Per serving: About 8 cal, 0 g protein, 2 g carb, 0 g fat, 0 mg chol, 109 mg sodium.

Swedish Meatballs with Cream Sauce

Swedish Meatballs

- 1 lb (455 g) boneless beef round steak, cut into 1" (2.5 cm) strips
- ¹/₂ lb (225 g) boneless veal, cut into 1" (2.5 cm) strips
- 1 medium onion, cut into sixths
- 2 slices whole wheat bread, broken into pieces
- 1 teaspoon (5 mL) salt
- ¹/₂ teaspoon (2 mL) nutmeg
- ¹/₄ teaspoon (1 mL) allspice
- ¹/₄ teaspoon (1 mL) black pepper
- ¹/₄ cup (60 mL) fat-free egg substitute or 1 egg
- ¹/₂ cup (120 mL) low-fat milk

Assemble Food Grinder, using fine grinding plate. Attach Food Grinder to mixer. Turn to Speed 4 and grind beef, veal, onion, and bread into bowl placed under grinder. (Return mixture to grinder and grind once or twice more for extra fine meatballs.) Add all remaining ingredients; mix well.

Shape mixture into 1" (2.5 cm) meatballs and arrange in 15¹/₂ x 10¹/₂ x 1" (38.8 x 26.3 x 2.5 cm) baking pans. Bake at 450°F (232°C) for 15 minutes, or until browned and no longer pink in center.

While meatballs are baking, prepare Cream Sauce. Heat drippings or melt margarine in large saucepan. Add flour and stir until bubbly. Gradually stir in all remaining ingredients. Cook over medium-low heat until mixture thickens and just begins to bubble. Pour over Swedish Meatballs.

Serve meatballs as an appetizer or combine with cooked noodles as a main dish.

Yield: 20 appetizer servings (4 meatballs per serving) or 10 main dish servings (8 meatballs per serving).

Per appetizer serving: About 86 cal, 9 g protein, 5 g carb, 3 g fat, 28 mg chol, 247 mg sodium.

Per main dish serving: About 173 cal, 19 g protein, 9 g carb, 6 g fat, 56 mg chol, 494 mg sodium.

Cream Sauce

- ¹/₄ cup (60 mL) drippings from meatballs or margarine or butter
- ¹/₄ cup (60 mL) flour
- 2 cups (475 mL) whole milk
- 2 teaspoons (10 mL) instant beef bouillon granules
- ¹/₈ teaspoon (0.5 mL) black pepper

Bolognese Sauce

- 2 *tablespoons (30 mL) olive oil*
- 2 *carrots, peeled and cut into 1" (2.5 cm) pieces*
- 2 *stalks celery cut into 1" (2.5 cm) pieces*
- 1 *large onion, cut into eighths*
- $\frac{1}{4}$ *cup (60 mL) parsley sprigs*
- $1\frac{1}{2}$ *lbs (680 g) ground beef*
- $\frac{1}{2}$ *lb (225 g) ground pork*
- 3 *cloves garlic*
- 6 *large ripe tomatoes, cut into sixths*
- 1 *teaspoon (5 mL) basil*
- 1 *teaspoon (5 mL) oregano*
- 1 *bay leaf*
- $1\frac{1}{2}$ *teaspoon (7 mL) salt*
- $\frac{1}{4}$ *teaspoon (1 mL) pepper*
- $\frac{1}{4}$ *cup (60 mL) water*
- $\frac{1}{4}$ *cup (60 mL) dry red wine*

Heat oil in a 12" (30 cm) skillet over medium heat. Add carrots, celery, onion, parsley, ground beef, ground pork, and garlic. Sauté 20 minutes. Remove mixture from heat and cool 10 minutes.

Assemble Food Grinder using coarse grinding plate and attach to mixer. Turn to Speed 4 and grind mixture into a 6 qt (5.7 L) pot.

Assemble Fruit/Vegetable Strainer and attach to mixer. Turn to Speed 4 and strain tomatoes. Measure out 4 cups (945 mL) puree. Add tomato puree, basil, oregano, bay leaf, salt, pepper, tomato paste, water, and wine to meat mixture. Cover and simmer on medium-low heat for 1 hour.

Yield: 2 qt (1.9 L).

Per serving: ($\frac{1}{2}$ cup [120 mL]) About 330 cal, 22 g protein, 8 g carb, 23 g fat, 77 mg chol, 534 mg sodium.

Pesto Sauce

- 2 *cups (475 mL) fresh basil leaves*
- 1 *cup (235 mL) parsley sprigs*
- 8 *cloves garlic*
- 1 *teaspoon (5 mL) salt*
- $\frac{1}{2}$ *teaspoon (2 mL) pepper*
- 1 *cup (235 mL) Parmesan cheese*
- $\frac{1}{2}$ *cup (120 mL) olive oil*

Assemble Food Grinder using fine grinding plate and attach to mixer. Turn to Speed 4 and grind basil leaves, parsley sprigs, and garlic into mixer bowl. Add salt, pepper, and Parmesan cheese. Attach bowl and wire whip. Turn to Speed 6 and whip 1 minute. Stop and scrape bowl. Turn to Speed 8 and gradually add olive oil in a thin, steady stream, whipping until absorbed. Use about 2 tablespoons (30 mL) of Pesto Sauce per serving of pasta.

Tip: If Pesto Sauce is not used at once, place it in a jar and cover with a thin layer of olive oil to keep it from darkening. Refrigerate for a week or freeze for longer storage.

Yield: 2 cups (475 mL).

Golden Peach Chutney

- 4 large peaches, peeled and cut into chunks or 1 package (16 oz. [455 g]) frozen peaches, thawed
- $\frac{1}{2}$ cup (120 mL) vinegar
- 2 tablespoons (30 mL) finely chopped onion
- $\frac{1}{4}$ cup (60 mL) dried fruit bits
- $\frac{1}{2}$ cup (120 mL) firmly packed brown sugar
- $\frac{1}{4}$ cup (60 mL) sugar
- 2 tablespoons (30 mL) finely chopped crystallized ginger
- $\frac{1}{4}$ teaspoon (1 mL) cloves
- $\frac{1}{4}$ teaspoon (1 mL) allspice

Assemble Fruit/Vegetable Strainer and attach to mixer. Turn to Speed 4 and strain peaches into large saucepan placed under strainer. Add all remaining ingredients. Heat to boiling. Reduce heat to low. Cook about 20 minutes, or until thick, stirring frequently.

Yield: 24 servings (1 tablespoon [15 mL] per serving).

Per serving: About 40 cal, 0 g protein, 11 g carb, 0 g fat, 0 mg chol, 3 mg sodium.

Harvest Apple Butter

- 3 lbs. (1.5 kg) cooking apples, cut into fourths
- $\frac{3}{4}$ cup (175 mL) apple cider
- $\frac{1}{2}$ cup (120 mL) vinegar
- 2 cups (475 mL) sugar
- 2 teaspoons (10 mL) cinnamon
- $\frac{1}{2}$ teaspoon (2 mL) cloves
- $\frac{1}{2}$ teaspoon (7 mL) allspice

Place apples, cider, and vinegar in large saucepan or Dutch oven. Cook over medium heat about 15 minutes, or until very soft, stirring occasionally.

Assemble Fruit/Vegetable Strainer and attach to mixer. Turn to Speed 4 and strain cooked apples into mixer bowl placed under strainer. Return apples to pan. Add sugar and spices; mix well. Cook over low heat until sugar is dissolved, stirring constantly. Cook 15 to 20 minutes longer, or until thick, stirring frequently. Ladle into hot, sterilized $\frac{1}{2}$ -pint (235 mL) jars. Process 10 minutes in boiling water bath. Remove jars from water. Cool; check seals.

Yield: About 5 cups (1.2 L) (2 teaspoons [10 mL] per serving).

Per serving: About 21 cal, 0 g protein, 5 g carb, 0 g fat, 0 mg chol, 0 mg sodium.

Hummus

- 1 can (20 oz [565 g]) chickpeas, drained
- $\frac{1}{4}$ cup (60 mL) cold water
- $\frac{1}{4}$ cup (60 mL) fresh lemon juice
- $\frac{1}{4}$ cup (60 mL) tahini (sesame seed paste)
- 3 cloves garlic, minced
- $\frac{1}{2}$ teaspoon (2 mL) salt
- $\frac{1}{4}$ teaspoon (1 mL) paprika (optional)

Assemble Fruit/Vegetable Strainer and attach to mixer. Turn to Speed 4 and strain chickpeas into mixer bowl. Return waste to strained chickpeas.

Add water, lemon juice, tahini, garlic, salt, and paprika. Attach bowl and wire whip to mixer. Turn to Speed 4 and whip 1 minute. Stop and scrape bowl. Increase to Speed 10 and whip 1 minute or until smooth. Serve with Pita Bread.

Yield: 2 cups (475 mL).

Per serving: (2 tablespoons [30 mL]) About 66 cal, 2 g protein, 9 g carb, 2 g fat, 0 mg chol, 180 mg sodium.

KitchenAid® Stand Mixer Attachment Warranty

ENGLISH

Length of Warranty:	KitchenAid Will Pay For:	KitchenAid Will Not Pay For:
<p>50 United States, the District of Columbia, Canada, and Puerto Rico: One-year limited warranty from date of purchase.</p>	<p>50 United States, the District of Columbia and Canada: Hassle-free replacement of your Stand Mixer Attachment. See the following page for details on how to arrange for replacement. OR In Puerto Rico: The replacement parts and repair labor costs to correct defects in materials and workmanship. Service must be provided by an Authorized KitchenAid Service Center. To arrange for service, follow the instruction in the “How to Arrange for Warranty Service in Puerto Rico” section.</p>	<p>A. Repairs when Stand Mixer Attachment are used in other than normal single family home use. B. Damage resulting from accident, alteration, misuse or abuse or use with products not approved by KitchenAid. C. Replacement parts or repair labor costs for Stand Mixer Attachment when operated outside the country of purchase.</p>

DISCLAIMER OF IMPLIED WARRANTIES; LIMITATION OF REMEDIES IMPLIED WARRANTIES, INCLUDING TO THE EXTENT APPLICABLE WARRANTIES OF MERCHANTABILITY OR FITNESS FOR A PARTICULAR PURPOSE, ARE EXCLUDED TO THE EXTENT LEGALLY PERMISSIBLE. ANY IMPLIED WARRANTIES THAT MAY BE IMPOSED BY LAW ARE LIMITED TO ONE YEAR, OR THE SHORTEST PERIOD ALLOWED BY LAW. SOME STATES AND PROVINCES DO NOT ALLOW LIMITATIONS OR EXCLUSIONS ON HOW LONG AN IMPLIED WARRANTY OF MERCHANTABILITY OR FITNESS LASTS, SO THE ABOVE LIMITATIONS OR EXCLUSIONS MAY NOT APPLY TO YOU.

IF THIS PRODUCT FAILS TO WORK AS WARRANTED, CUSTOMER’S SOLE AND EXCLUSIVE REMEDY SHALL BE REPAIR OR REPLACEMENT ACCORDING TO THE TERMS OF THIS LIMITED WARRANTY. KITCHENAID AND KITCHENAID CANADA DO NOT ASSUME ANY RESPONSIBILITY FOR INCIDENTAL OR CONSEQUENTIAL DAMAGES. This warranty gives you specific legal rights and you may also have other rights which vary from state to state or province to province.

Hassle-Free Replacement Warranty – 50 United States and District of Columbia

We're so confident the quality of our products meets the exacting standards of KitchenAid that, if your Stand Mixer Attachment should fail within the first year of ownership, KitchenAid will arrange to deliver an identical or comparable replacement to your door free of charge and arrange to have your original Stand Mixer Attachment returned to us. Your replacement unit will also be covered by our one year limited warranty. Please follow these instructions to receive this quality service.

If your Stand Mixer Attachment should fail within the first year of ownership, simply call our toll-free Customer Satisfaction Center at 1-800-541-6390 Monday through Friday, 8 a.m. to 8 p.m. (Eastern Time), or Saturday, 10 a.m. to 5 p.m. Give the consultant your complete shipping address. (No P.O. Box numbers, please.)

When you receive your replacement Stand Mixer Attachment, use the carton and packing materials to pack up your original Stand Mixer Attachment(s). In the carton, include your name and address on a sheet of paper along with a copy of the proof of purchase (register receipt, credit card slip, etc.).

Hassle-Free Replacement Warranty – Canada

We're so confident the quality of our products meets the exacting standards of the KitchenAid brand that, if your Stand Mixer Attachment should fail within the first year of ownership, KitchenAid Canada will replace your Stand Mixer Attachment with an identical or comparable replacement. Your replacement unit will also be covered by our one year limited warranty. Please follow these instructions to receive this quality service.

If your Stand Mixer Attachment should fail within the first year of ownership, take the Stand Mixer Attachment or ship collect to an Authorized KitchenAid Canada Service Centre. In the carton include your name and complete shipping address along with a copy of the proof of purchase (register receipt, credit card slip, etc.). Your replacement Stand Mixer Attachment will be returned prepaid and insured. If you are unable to obtain satisfactory service in this manner call our toll-free Customer eXperience Centre at 1-800-807-6777. Or write to us at:

Customer eXperience Centre
KitchenAid Canada
200-6750 Century Ave.
Mississauga, ON L5N 0B7

How to Arrange for Warranty Service in Puerto Rico

Your Stand Mixer Attachment(s) is covered by a one-year limited warranty from the date of purchase. KitchenAid will pay for replacement parts and labor costs to correct defects in materials and workmanship. Service must be provided by an Authorized KitchenAid Service Center.

Take the Stand Mixer Attachment(s) or ship prepaid and insured to an Authorized KitchenAid Service Center. Your repaired Stand Mixer Attachment(s) will be returned prepaid and insured. If you are unable to obtain satisfactory service in this manner, call toll-free 1-800-541-6390 to learn the location of a Service Center near you.

How to Arrange for Service after the Warranty Expires – All Locations

For service information in the 50 United States, District of Columbia, and Puerto Rico,
call toll-free 1-800-541-6390.

Or write to:
Customer Satisfaction Center
KitchenAid Portable Appliances
P.O. Box 218
St. Joseph, MI 49085-0218

Or contact an Authorized Service Center near you.

For service information in Canada,
call toll-free 1-800-807-6777.

Or write to:
Customer eXperience Centre
KitchenAid Canada
200 - 6750 Century Ave.
Mississauga, Ontario L5N 0B7

ENGLISH

How to Arrange for Service Outside these Locations

Consult your local KitchenAid dealer or the store where you purchased the Stand Mixer Attachment for information on how to obtain service.

For service information in Mexico,
call toll-free
01-800-024-17-17
(JV Distribuciones)

Or
01-800-902-31-00
(Industrias Birtman)

How to Order Accessories and Replacement Parts

To order accessories or replacement parts for your Stand Mixer Attachment in the 50 United States, District of Columbia, and Puerto Rico,
call toll-free 1-800-541-6390 Monday through Friday, 8 a.m. to 8 p.m. (Eastern Time), or Saturday, 10 a.m. to 5 p.m.

Or write to:
Customer Satisfaction Center
KitchenAid Portable Appliances
P.O. Box 218
St. Joseph, MI 49085-0218

To order accessories or replacement parts for your Stand Mixer Attachment in Canada,
call toll-free 1-800-807-6777.

Or write to:
Customer eXperience Centre
KitchenAid Canada
200 - 6750 Century Ave.
Mississauga, Ontario L5N 0B7

To order accessories or replacement parts for your Stand Mixer Attachment in Mexico,
call toll-free
01-800-024-17-17
(JV Distribuciones)

Or
01-800-902-31-00
(Industrias Birtman)

Table des matières

INTRODUCTION

Preuve d'achat.....	Deuxième de couverture
Sécurité des accessoires du batteur sur socle.....	17
Consignes de sécurité importantes.....	17

CARACTÉRISTIQUES ET OPÉRATION

Pour installer l'accessoire du batteur sur socle	18
Avant d'installer l'accessoire du batteur sur socle	18
Accessoire hachoir	18
Pour assembler l'accessoire hachoir	18
Pour utiliser l'accessoire hachoir.....	19
Pour nettoyer l'accessoire hachoir.....	19
Accessoire presse fruits/légumes	20
Pour assembler l'accessoire presse fruits/légumes.....	20
Pour utiliser l'accessoire presse fruits/légumes.....	20
Pour presser les fruits et légumes.....	21
Pour nettoyer l'accessoire presse-fruits/légumes.....	21
Accessoire plateau d'aliments	22
Pour fixer l'accessoire plateau d'aliments	22
Pour utiliser l'accessoire plateau d'aliments.....	22
Pour nettoyer l'accessoire plateau.....	22

Table des matières

RECETTES

Salsa fumée	23
Boulettes de viande suédoises avec sauce à la crème	24
Sauce bolognaise.....	25
Sauce Pesto	26
Chutney aux pêches dorées.....	26
Beurre de pommes des récoltes	27
Humus.....	27

INFORMATION SUR LA GARANTIE ET LE SERVICE

Garantie KitchenAid® d'accessoires de batteur sur socle	28
Garantie de remplacement sans tracas - 50 États américains et District de Columbia	29
Garantie de remplacement sans tracas - Canada.....	29
Comment obtenir le service sous garantie à Puerto Rico	30
Comment obtenir le service après la fin de la garantie - tous les endroits.....	30
Comment obtenir le service à l'extérieur de ces endroits	30
Comment commander des accessoires et des pièces de rechange.....	31

Sécurité des accessoires du batteur sur socle

Votre sécurité et celle des autres est très importante.

Nous donnons de nombreux messages de sécurité importants dans ce manuel et sur votre appareil ménager. Assurez-vous de toujours lire tous les messages de sécurité et de vous y conformer.



Voici le symbole d'alerte de sécurité.

Ce symbole d'alerte de sécurité vous signale les dangers potentiels de décès et de blessures graves à vous et à d'autres.

Tous les messages de sécurité suivront le symbole d'alerte de sécurité et le mot "DANGER" ou "AVERTISSEMENT". Ces mots signifient :

! DANGER

Risque possible de décès ou de blessure grave si vous ne suivez pas immédiatement les instructions.

! AVERTISSEMENT

Risque possible de décès ou de blessure grave si vous ne suivez pas les instructions.

Tous les messages de sécurité vous diront quel est le danger potentiel et vous disent comment réduire le risque de blessure et ce qui peut se produire en cas de non-respect des instructions.

CONSIGNES DE SÉCURITÉ IMPORTANTES

Lors de l'utilisation d'appareils électriques, il faut observer des mesures de sécurité élémentaires, et en particulier :

1. Lire toutes les instructions.
2. Pour se protéger contre les chocs électriques, ne pas plonger le batteur dans l'eau ou dans tout autre liquide.
3. Il faut une supervision étroite lorsque l'appareil est utilisé par ou près d'enfants.
4. Débrancher l'appareil lorsqu'il n'est pas utilisé, avant d'installer ou d'enlever des pièces ainsi que pour le nettoyage.
5. Éviter tout contact avec les pièces mobiles. Garder les doigts loin de l'ouverture de décharge.
6. Ne pas faire fonctionner le batteur avec un cordon ou une fiche endommagé(e), ou si le batteur fonctionne mal ou est endommagé de quelque façon que ce soit. Retourner le batteur au centre de service autorisé le plus proche pour qu'il soit vérifié, réparé ou que les éléments électriques ou mécaniques soient ajustés.
7. L'utilisation de tout accessoire non recommandé par KitchenAid peut provoquer des incendies, des chocs électriques ou des blessures.
8. Ne pas l'utiliser à l'extérieur.
9. Ne pas laisser le cordon pendre au bord de la table ou du comptoir.
10. Ne jamais alimenter à la main. Toujours utiliser la combinaison de poussoir/clé.
11. Les lames sont acérées. Manipuler avec prudence.
12. Ce produit est réservé à l'utilisation résidentielle.

CONSERVEZ CES DIRECTIVES

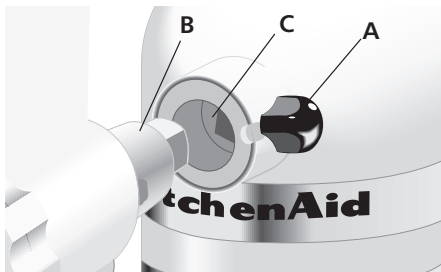
Pour installer l'accessoire du batteur sur socle

Avant d'installer l'accessoire du batteur sur socle

1. Mettez le contrôle de vitesse du batteur sur socle à OFF.
2. Débranchez le batteur ou mettez-le hors tension.
3. Desserrez le bouton d'accessoire (A) en tournant dans le sens antihoraire.
4. Retirez ou relevez le couvercle d'emboîtement d'accessoire.
5. Insérez le boîtier de l'arbre d'accessoire (B) dans l'emboîtement d'accessoire (C), en vous assurant que l'arbre de courant s'ajuste dans la douille d'emboîtement carrée.
6. Tournez l'accessoire d'un mouvement de va-et-vient, si nécessaire. Lorsque l'accessoire est en bonne position, la

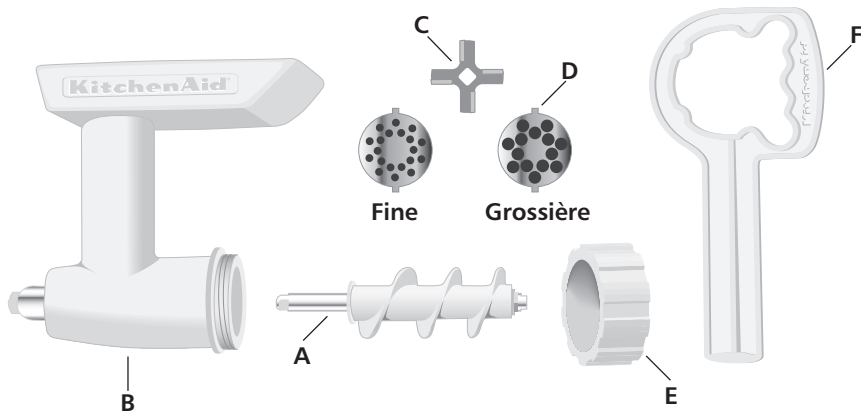
goupille de l'accessoire s'ajustera dans l'encoche du bord de l'emboîtement.

7. Resserrez le bouton de l'accessoire jusqu'à ce que l'appareil soit bien installé dans le batteur.



FRANÇAIS

Accessoire hachoir



Pour assembler l'accessoire hachoir :

1. Insérez la vis sans fin de hachage (A) dans le corps du hachoir (B).
2. Placez le couteau (C) sur la tige carrée du côté exposé de la vis sans fin de hachage.
3. Placez la plaque de hachage (D) sur le couteau en associant les languettes de la plaque avec les encoches du corps du hachoir.
4. Placez l'anneau (E) sur le corps du hachoir en tournant à la main jusqu'à ce que le tout soit bien fixé, mais non resserré.

REMARQUE : La combinaison poussoir/clé (F) sert seulement à retirer l'anneau (E). Ne l'utilisez pas pour resserrer l'anneau (E).

REMARQUE : Le presse-fruits/légumes (modèle FVSP) est disponible pour convertir le hachoir en presse-fruits/légumes.

Le poussoir à saucisses (SSA) est disponible pour convertir le hachoir en poussoir à saucisses.

Accessoire hachoir

Pour utiliser l'accessoire hachoir

AVERTISSEMENT



Danger avec la lame rotative

Toujours utiliser un poussoir pour introduire les aliments.

Ne pas approcher les doigts des ouvertures.

Conserver hors de portée des enfants.

Le non-respect de ces instructions peut causer une amputation ou des coupures.

1. Coupez les aliments en petites bandes ou en morceaux et mettez-les dans la trémie. La viande devrait être coupée en longues bandes étroites.
2. Mettez le batteur à la vitesse 4 et mettez les aliments dans la trémie en utilisant une combinaison de poussoir/clé.

REMARQUE : un liquide peut apparaître dans la trémie lors de la transformation de grosses quantités d'aliments à forte humidité tels que les tomates ou le raisin. Pour drainer le liquide, continuez à faire fonctionner le batteur. Pour éviter d'endommager le batteur, ne transformez pas d'autres aliments avant que tout le liquide soit sorti de la trémie.



Plaque de coupe grossière

– Utilisez pour broyer les aliments crus ou cuits, les légumes fermes, les fruits secs et le fromage.



Plaque de coupe fine

– Utilisez pour broyer la viande crue, les viandes cuites pour les tartinades et la chapelure.

Broyer la viande – Pour un meilleur mélange et des résultats plus tendres, hachez le bœuf deux fois. Les meilleurs résultats en termes de texture sont obtenus en broyant la viande très froide ou partiellement surgelée. Les viandes grasses ne devraient être broyées qu'une seule fois.

Broyer le pain – Pour broyer le pain en miettes, assurez-vous que le pain soit bien séché au four pour retirer toute l'humidité ou pas séché du tout. Le pain partiellement séché pourrait bloquer le hachoir.

REMARQUE : les aliments très durs, denses comme le pain maison bien séché ne devraient pas être broyés dans le hachoir. Le pain maison devrait être broyé frais, puis séché à l'air ou dans le four.

Pour desserrer l'anneau – Si l'anneau est trop serré pour le retirer à la main, glissez la combinaison poussoir/clé sur les rainures et tournez dans le sens antihoraire.

REMARQUE : Pour éviter d'endommager l'accessoire hachoir, n'utilisez pas la combinaison poussoir/clé pour resserrer l'anneau au corps du hachoir.

Pour nettoyer l'accessoire hachoir

Démontez d'abord complètement l'accessoire hachoir.

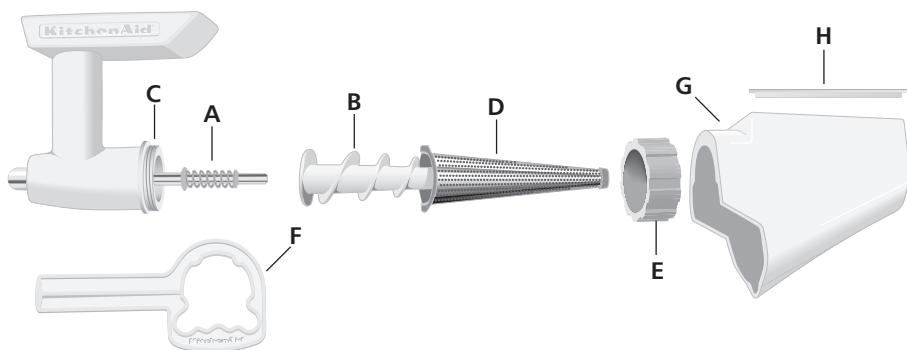
Les pièces suivantes conviennent au lave-vaisselle :

- Corps du hachoir
- Vis sans fin du hachoir
- Anneau
- Combinaison poussoir/clé

Les pièces suivantes devraient être lavées à la main dans de l'eau chaude, savonneuse et bien séchées :

- Couteau
- Plaque de hachage

Accessoire presse fruits/légumes



Pour assembler l'accessoire presse fruits/légumes

1. Glissez la plus petite extrémité de l'assemblage du ressort et de l'arbre (A) dans l'ouverture de la vis sans fin plus large (B) jusqu'à ce qu'elle soit bien fermement en place.
2. Insérez la vis sans fin plus large dans le corps du hachoir (C).
3. Fixez le cône de la presse (D) sur l'extrémité exposée de la vis sans fin agençant les languettes du cône avec les encoches du corps du hachoir.
4. Placez l'anneau (E) sur le corps du hachoir en tournant à la main jusqu'à ce que le tout soit bien fixé, mais non trop resserré.

REMARQUE : La combinaison poussoir/clé (F) sert seulement à retirer l'anneau (E). Ne l'utilisez pas pour resserrer l'anneau (E).

5. Glissez le plateau de presse (G) sur le cône et verrouillez sur le dessus de l'anneau.
6. Placez le couvercle anti-éclaboussures (H) sur le plateau de passoire.

Pour utiliser l'accessoire presse-fruits/légumes

AVERTISSEMENT



Danger avec la lame rotative

Toujours utiliser un poussoir pour introduire les aliments.

Ne pas approcher les doigts des ouvertures.

Conserver hors de portée des enfants.

Le non-respect de ces instructions peut causer une amputation ou des coupures.

1. Après avoir fixé l'accessoire presse-fruits/légumes au batteur, placez le bol sous le plateau de presse pour attraper les aliments passés et un plus petit bol sous l'extrémité ouverte pour attraper les déchets alimentaires.
2. Coupez les aliments en morceaux qui pourront entrer dans la trémie.
3. Mettez le batteur à la vitesse 4 et mettez les aliments dans la trémie en utilisant la combinaison de poussoir/clé.

Accessoire presse fruits/légumes

Pour presser les fruits et légumes

- Coupez les aliments en morceaux qui pourront entrer dans la trémie
- Retirez les morceaux durs, à peau épaisse ou à pelure, par ex. les oranges
- Retirez tous les gros noyaux, par ex. les pêches
- Retirez les cosses ou queues, par ex. les fraises, le raisin
- Faites cuire tous les fruits et légumes durs ou fermes avant de les presser

REMARQUE : un liquide peut apparaître dans la trémie lors de la transformation de grosses quantités d'aliments à forte humidité tels que les tomates ou le raisin. Pour drainer le liquide, continuez à faire fonctionner le batteur. Pour éviter d'endommager le batteur, ne transformez pas d'autres aliments avant que tout le liquide soit sorti de la trémie.

REMARQUE : pour éviter d'endommager l'accessoire presse fruits/légumes et/ou le batteur, ne transformez pas du raisin Labruscan ou à pelures glissantes tels que les raisins Concord, Catawba et Ontario dans le presse-fruits/légumes. Vous ne devriez transformer que les raisins de la famille Nifera comme les Tokay et Thompson sans pépins.

Pour nettoyer l'accessoire presse-fruits/légumes

Démontez d'abord complètement l'accessoire presse fruits/légumes.

Les pièces suivantes conviennent au lave-vaisselle :

- Corps du hachoir
- Vis sans fin du hachoir
- Cône de le presse
- Plateau de le presse
- Couvercle anti-éclaboussures
- Anneau
- Combinaison poussoir/clé

Les pièces suivantes devraient être lavées à la main dans de l'eau chaude, savonneuse et bien séchées :

- Assemblage ressort et arbre

Certains aliments peuvent tacher certaines pièces. Ces taches se retirent en utilisant une des méthodes suivantes : (1) mettez les pièces dans le lave-vaisselle et lavez avec le cycle pour vaisselle normalement souillée ou (2) frottez une petite quantité d'huile ou de shortening sur les taches, lavez à l'eau savonneuse et tiède, puis rincez. Vous pouvez utiliser une petite brosse de bouteille pour aider à retirer la pulpe du cône de presse.

Pour desserrer l'anneau – Si l'anneau est trop serré pour le retirer à la main, glissez la combinaison poussoir/clé sur les rainures et tournez dans le sens antihoraire.

REMARQUE : Pour éviter d'endommager l'accessoire presse fruits/légumes, n'utilisez pas la combinaison poussoir/clé pour resserrer l'anneau au corps du hachoir.

Les pièces du presse fruites/légumes (Modèle FVSP) sont disponibles pour convertir le hachoir, (Modèle FGA), en presse fruits/légumes.

Accessoire plateau d'aliments



Pour fixer l'accessoire plateau d'aliments

Avant d'installer l'accessoire plateau d'aliments :

1. Mettez le contrôle de vitesse du batteur sur socle à OFF.
2. Débranchez le batteur ou mettez-le hors tension. L'accessoire plateau d'aliments est conçu pour être utilisé avec les accessoires tels que le hachoir (modèle FGA) et l'accessoire presse de fruits/légumes (modèle FVSFGA).
3. Fixer l'accessoire hachoir ou l'accessoire presse-fruits/légumes au batteur sur socle.
4. Glissez l'avant de l'accessoire plateau d'aliments vers l'avant sur l'arrière de la trémie jusqu'à ce qu'il repose bien fermement en place.

Pour utiliser l'accessoire plateau d'aliments

⚠ AVERTISSEMENT



Danger avec la lame rotative

Toujours utiliser un poussoir pour introduire les aliments.

Ne pas approcher les doigts des ouvertures.

Conserver hors de portée des enfants.

Le non-respect de ces instructions peut causer une amputation ou des coupures.

1. Remplissez l'accessoire plateau d'aliments avec des aliments coupés en morceaux qui pourront entrer dans la trémie.
2. Mettez le batteur à la vitesse 4 et acheminez les aliments dans la trémie en utilisant une combinaison de poussoir/clé.

Pour nettoyer l'accessoire plateau d'aliments

Lavez dans de l'eau tiède savonneuse. Si vous le désirez, vous pouvez le placer sur le plateau supérieur de votre lave-vaisselle.

Salsa fumée

- 4 grosses tomates,
pelées et coupées
en six
- 1 ou 2 piments
chipotle
- 1 oignon moyen,
coupé en six
- 1 gousse d'ail
- 80 ml ($\frac{1}{3}$ tasse)
de vinaigre
- 5 ml (1 cuillère à thé)
de sel

Assemblez le hachoir en utilisant la plaque de hachage de coupe grossière. Fixez le hachoir au batteur. Mettez le batteur à la vitesse 4 et hachez les tomates, les piments, l'oignon et l'ail dans le grand bol ou dans la casserole placée sous le hachoir. Ajoutez tous les autres ingrédients et mélangez bien. Pour une salsa plus épaisse, réchauffez le mélange jusqu'à ébullition dans la casserole. Réduisez la chaleur à la température faible. Faites cuire 5 à 10 minutes ou jusqu'à ce que vous ayez la consistance voulue.

Conseil : les piments chipotle sont des piments jalapeño séchés et fumés. S'ils ne sont pas disponibles, substituez-les par des piments jalapeño frais et 1 goutte de fumée liquide. Donne : 20 portions (30 ml [2 cuillères à soupe] par portion).

Par portion : environ 8 calories, 0 g pro, 2 g glucides, 0 g gras, 0 mg chol, 109 mg sod.

Boulettes de viande suédoises avec sauce à la crème

Boulettes de viande suédoises

- 455 g (1 livre) de steak de ronde désossé coupé en lanières de 2,5 cm (1 po)
- 225 g (1/2 livre) de veau désossé coupé en lanières de 2,5 cm (1 po)
- 1 oignon moyen, coupé en six
 - 2 tranches de pain de blé entier en morceaux
 - 5 ml (1 cuillerée à thé) de sel
 - 2 ml (1/2 cuillerée à thé) de muscade
 - 1 ml (1/4 cuillerée à thé) de piment de la Jamaïque
 - 1 ml (1/4 cuillerée à thé) de poivre noir
- 60 ml (1/4 tasse) de substitut d'œuf sans matière grasse ou 1 œuf
- 120 ml (1/2 tasse) de lait faible en matière grasse

Sauce à la crème

- 60 ml (1/4 tasse) jus de cuisson de boulettes de viande ou de margarine ou de beurre
- 60 ml (1/4 tasse) de farine
- 475 ml (2 tasses) de lait entier
- 10 ml (2 cuillerées à thé) de granules de bouillon de bœuf instantané
- 0,5 ml (1/8 cuillerée à thé) de poivre noir

Assemblez le hachoir en utilisant la plaque de hachage de coupe fine. Fixez le hachoir au batteur. Mettez le batteur à la vitesse 4 et hachez le bœuf, le veau, l'oignon et le pain dans le bol placé sous le hachoir. (Remettez le mélange dans le hachoir et hachez une ou deux fois encore pour des boulettes de viande extra fines.) Ajoutez tous les autres ingrédients et mélangez bien.

Formez en boulettes de 2,5 cm (1 po) et arrangez sur des plaques de 38,8 x 26,3 x 2,5 cm (15 1/2 x 10 1/2 x 1 po). Faites cuire à 232 °C (450 °F) pendant 15 minutes ou jusqu'à ce que le tout soit bien brun et que le centre ne soit plus rose.

Pendant que les boulettes de viande cuisent, préparez la sauce à la crème. Réchauffez les jus de cuisson ou faites fondre la margarine dans une grande casserole. Ajoutez la farine et brassez jusqu'à ce que le tout bouillonne. Ajoutez graduellement tous les autres ingrédients. Faites cuire à feu moyen jusqu'à ce que le mélange épaississe et commence à bouillonner. Versez sur les boulettes de viande suédoises.

Servez les boulettes de viande comme hors d'œuvre ou avec les nouilles cuites comme plat principal.

Donne : 20 portions comme hors d'œuvre (4 boulettes de viande par portion) ou 10 portions de plat principal (8 boulettes de viande par portion)

Par portion de hors d'œuvre : environ 86 calories, 9 g pro, 5 g glucides, 3 g gras total, 28 mg chol, 247 mg sod.

Par portion de plat principal : environ 173 calories, 19 g pro, 9 g glucides, 6 g gras total, 56 mg chol, 494 mg sod.

Sauce bolognaise

- 30 ml (2 cuillérées à soupe) d'huile d'olive
- 2 carottes, pelées et coupées en morceaux de 2,5 cm (1 po)
- 2 branches de céleri coupées en morceaux de 2,5 cm (1 po)
- 1 gros oignon, coupé en huit
- 60 ml (1/4 tasse) de persil
- 680 g (1 1/2 livre) de bœuf haché
- 225 g (1/2 livre) de porc haché
- 3 gousses d'ail
- 6 grosses tomates mures, coupées en six
- 5 ml (1 cuillérée à thé) de basilic
- 5 ml (1 cuillérée à thé) d'origan
- 1 feuille de laurier
- 7 ml (1 1/2 cuillérée à thé) de sel
- 1 ml (1/4 cuillérée à thé) de poivre
- 60 ml (1/4 tasse) d'eau
- 60 ml (1/4 tasse) de vin rouge sec

Réchauffez de l'huile dans une poêle de 30 cm (12 po) à feu moyen. Ajoutez les carottes, le céleri, l'oignon, le persil, le bœuf haché, le porc haché et l'ail. Faites sauter pendant 20 minutes. Retirez le mélange de la chaleur et faites refroidir pendant 10 minutes.

Assemblez le hachoir en utilisant la plaque de hachage de coupe grossière et fixez-le au batteur. Mettez le batteur à la vitesse 4 et hachez le mélange dans un contenant de 5,7 l (6 pintes).

Assemblez le presse-fruits/légumes et fixez-le au batteur. Mettez le batteur à la vitesse 4 et passez les tomates. Mesurez 945 ml (4 tasses) de purée. Ajoutez la purée de tomates, le basilic, l'origan, les feuilles de laurier, le sel, le poivre, la purée de tomate, l'eau et le vin au mélange de viande. Couvrez et faites mijoter à feu moyen à bas pendant 1 heure.

Donne : 1,9 l (2 pintes).

Par portion : (120 ml [1/2 tasse]) Environ 330 calories, 22 g pro, 8 g glucides, 23 g gras, 77 mg chol, 534 mg sod.

Sauce Pesto

- 475 ml (2 tasses) de
feuilles de basilic frais
- 235 ml (1 tasse) de persil
- 8 gousses d'ail
- 5 ml (1 cuillère à thé)
de sel
- 2 ml (1/2 cuillère à thé)
de poivre
- 235 ml (1 tasse) de
Parmesan
- 120 ml (1/2 tasse) d'huile
d'olive

Assemblez le hachoir en utilisant la plaque de hachage de coupe fine et fixez-le au batteur. Mettez le batteur à la vitesse 4 et hachez les feuilles de basilic, le persil et l'ail dans le bol du batteur. Ajoutez le sel, le poivre et le Parmesan. Fixez le bol et le fouet à fil. Mettez le batteur à la vitesse 6 et fouettez pendant 1 minute. Arrêtez et grattez le bol. Mettez le batteur à la vitesse 8 et ajoutez graduellement l'huile d'olive en un filet mince, régulier tout en fouettant jusqu'à ce qu'elle soit absorbée. Utilisez environ 30 ml (2 cuillère à soupe) de sauce pesto par portion de pâtes alimentaires.

Conseil : si la sauce pesto n'est pas utilisée immédiatement, placez-la dans un bocal et couvrez-la d'une mince couche d'huile d'olive pour l'empêcher de noircir. Réfrigérez pendant une semaine ou congelez pour une plus longue conservation.

Donne : 475 ml (2 tasses)

Chutney aux pêches dorées

- 4 grosses pêches,
pelées et coupées
en morceaux
ou 1 paquet de
455 g (16 oz) de
pêches surgelées,
décongelées.
- 120 ml (1/2 tasse)
de vinaigre
- 30 ml (2 cuillérées à
table) d'oignon
finement haché
- 60 ml (1/4 tasse)
de morceaux de
fruits séchés
- 120 ml (1/2 tasse) de
cassonade bien
tassée
- 60 ml (1/4 tasse) de sucre
- 30 ml (2 cuillérées à
table) de gingembre
cristallisé finement
haché
- 1 ml (1/4 cuillère à thé)
de clous de girofle
- 1 ml (1/4 cuillère à
thé) de piment de la
Jamaïque

Assemblez le presse-fruits/légumes et fixez-le au batteur. Mettez le batteur à la vitesse 4 et passez les pêches dans une grande casserole placée sous la presse. Ajoutez tous les derniers ingrédients. Faites chauffer jusqu'à ébullition. Réduisez la chaleur à la température basse. Faites cuire pendant environ 20 minutes ou jusqu'à ce que le tout soit épais en remuant fréquemment.

Donne : 24 portions (15 ml [1 cuillère à soupe]
par portion).

Par portion : environ 40 calories, 0 g pro, 11 g glucides,
0 g gras, 0 mg chol, 3 mg sod.

Beurre de pommes des récoltes

- 1,5 kg (3 livre) de pommes à cuire, coupées en quatre
- 175 ml (3/4 tasse) de cidre de pomme
- 120 ml (1/2 tasse) de vinaigre
- 475 ml (2 tasses) de sucre
- 10 ml (2 cuillérées à thé) de cannelle
- 2 ml (1/2 cuillérée à thé) de clous de girofle
- 7 ml (1 1/2 cuillérée à thé) de piment de la Jamaïque

Placez les pommes, le cidre et le vinaigre dans une grande casserole ou un faitout. Faites cuire à feu moyen pendant environ 15 minutes ou jusqu'à ce que le mélange soit très tendre en remuant à l'occasion.

Assemblez le presse-fruits/légumes et fixez-le au batteur. Mettez le batteur à la vitesse 4 et passez les pommes cuites dans le bol du batteur sous l'accessoire presse. Remettez les pommes dans le plat. Ajoutez du sucre et des épices et mélangez bien. Faites cuire à feu bas jusqu'à ce que le sucre soit dissout et en remuant constamment. Faites cuire pendant 15 à 20 minutes ou jusqu'à ce que le tout soit épais en remuant fréquemment. Versez dans des bocaux stérilisés de 235 ml (1/2 chopine). Laissez 10 minutes dans un bain d'eau bouillante. Retirez les bocaux de l'eau. Laissez refroidir, vérifiez l'étanchéité.

Donne : Environ 1,2 l (5 tasses) (10 ml [2 cuillérées à thé] par portion).

Par portion : environ 21 calories, 0 g pro, 5 g glucides, 0 g gras, 0 mg chol, 0 mg sod.

Humus

- 1 boîte de 565 g (20 onces) de pois chiches, drainés
- 60 ml (1/4 tasse) d'eau froide
- 60 ml (1/4 tasse) de jus de citron frais
- 60 ml (1/4 tasse) de tahini (pâte de graines de sésame)
- 3 gousses d'ail, haché
- 2 ml (1/2 cuillérée à thé) de sel
- 1 ml (1/4 cuillérée à thé) de paprika (optionnel)

Assemblez le presse-fruits/légumes et fixez-le au batteur. Mettez le batteur à la vitesse 4 et passez les pois chiches dans le bol du batteur. Remettez les restes avec les pois chiches pressés.

Ajoutez l'eau, le jus de citron, le tahini, l'ail, le sel et le paprika. Fixez le bol et le fouet à fil au batteur. Mettez le batteur à la vitesse 4 et fouettez pendant 1 minute. Arrêtez et grattez le bol. Mettez le batteur à la vitesse 10 et fouettez pendant 1 minute ou jusqu'à ce que le tout soit lisse. Servez avec du pain pita.

Donne : 475 ml (2 tasses)

Par portion : 30 ml (2 cuillérée à soupe) Environ 66 calories, 2 g pro, 9 g glucides, 2 g gras, 0 mg chol, 180 mg sod.

Garantie KitchenAid® d'accessoires de batteur sur socle

Durée de la garantie :	KitchenAid paiera pour ce qui suit :	KitchenAid ne paiera pas :
<p>50 États américains, le District de Columbia, le Canada, et Puerto Rico : garantie limitée d'un an à partir de la date d'achat.</p>	<p>50 États américains, le District de Columbia et le Canada : garantie de remplacement sans tracas de votre accessoire de batteur sur socle. Consultez la page suivante pour les détails du remplacement.</p> <p>OU</p> <p>À Puerto Rico : Les pièces de rechange et les frais de main-d'œuvre de réparation pour corriger les problèmes de matériaux et de main-d'œuvre. Le service de réparation doit être effectué par un Centre de service autorisé KitchenAid. Pour obtenir le service, suivez les instructions à la section "Comment obtenir le service sous garantie à Puerto Rico".</p>	<p>A. Les réparations lorsque l'accessoire de batteur sur socle est utilisé à des fins autres qu'une utilisation unifamiliale normale.</p> <p>B. Les dommages découlant d'un accident, d'une altération, d'une mauvaise utilisation, d'abus ou d'utilisation avec des produits non approuvés par KitchenAid.</p> <p>C. Les pièces de rechange ou les frais de main-d'œuvre de réparation de l'accessoire de batteur sur socle lorsque ce dernier est utilisé à l'extérieur du pays d'achat.</p>

FRANÇAIS

RENONCIATION AUX GARANTIES, LIMITES OU RECOURS IMPLICITES LES GARANTIES IMPLICITES, Y COMPRIS DANS LA MESURE POSSIBLE LES GARANTIES DE QUALITÉ MARCHANDE OU D'APTITUDE À L'EMPLOI POUR TOUTE FIN PARTICULIÈRE, SONT EXCLUES DANS LA MESURE PERMISE PAR LA LOI. TOUTES GARANTIES IMPLICITES QUI POURRAIENT ÊTRE IMPOSÉES PAR LA LOI SE LIMITENT À UN AN OU À LA PLUS COURTE PÉRIODE PERMISE PAR LA LOI. CERTAINS ÉTATS ET PROVINCES N'ACCEPTENT PAS D'EXCLUSION OU DE LIMITES QUANT À LA DURÉE D'UNE GARANTIE IMPLICITE DE QUALITÉ MARCHANDE OU D'APTITUDE À L'EMPLOI, IL SE PEUT DONC QUE LES LIMITES ET LES EXCLUSIONS PRÉCÉDENTES NE S'APPLIQUENT PAS DANS VOTRE CAS.

SI CE PRODUIT CESSE DE FONCTIONNER TEL QU'INDIQUÉ, LE SEUL RECOURS EXCLUSIF DU CLIENT EST SA RÉPARATION OU SON REMPLACEMENT SELON LES MODALITÉS DE CETTE GARANTIE LIMITÉE. KITCHENAID ET KITCHENAID CANADA N'ASSUMENT AUCUNE RESPONSABILITÉ POUR LES DOMMAGES INDIRECTS OU CONSÉCUTIFS. Cette garantie vous donne des droits légaux précis, et vous pouvez aussi avoir d'autres droits qui varient d'un état à l'autre ou d'une province à l'autre.

Garantie de remplacement sans tracas — 50 États américains et District de Columbia

Nous sommes tellement certains que la qualité de nos produits répond aux normes strictes de KitchenAid que, si votre accessoire de batteur sur socle connaît une défaillance au cours de la première année suivant l'achat, KitchenAid fera le nécessaire pour livrer un produit de remplacement identique ou comparable à votre porte sans frais et fera le nécessaire pour que votre accessoire de batteur sur socle original nous soit retourné. Votre produit de remplacement sera aussi couvert par notre garantie limitée d'un an. Veuillez suivre ces instructions pour recevoir ce service de qualité.

Si votre accessoire de batteur sur socle connaît une défaillance au cours de la première année après l'achat, il vous suffit de contacter le Centre de satisfaction de la clientèle du lundi au vendredi de 8 h à 20 h (heure de l'est), ou le samedi, de 10 h à 17 h au numéro sans frais suivant : 1-800-541-6390. Donnez au consultant votre adresse complète d'expédition. (aucune boîte postale, s.v.p.)

Lorsque vous recevrez votre accessoire de batteur sur socle de remplacement, utilisez le carton et les matériaux d'emballage pour emballer votre(vos) accessoire(s) de batteur sur socle original. Dans le carton, veuillez inclure votre nom et votre adresse sur une feuille de papier avec une copie de la preuve d'achat (facture, feuillet de carte de crédit, etc.).

Garantie de remplacement sans tracas — Canada

Nous sommes tellement certains que la qualité de nos produits répond aux normes strictes de KitchenAid que, si votre accessoire de batteur sur socle connaît une défaillance au cours de la première année suivant l'achat, KitchenAid Canada remplacera votre accessoire de batteur sur socle avec un produit de remplacement identique ou comparable. Votre produit de remplacement sera aussi couvert par notre garantie limitée d'un an. Veuillez suivre ces instructions pour recevoir ce service de qualité.

Si votre accessoire de batteur sur socle connaît une défaillance au cours de la première année après l'achat, apportez votre accessoire de batteur sur socle ou expédiez-le contre remboursement à un centre de service autorisé KitchenAid Canada. Dans le carton, veuillez inclure votre nom et votre adresse complète d'expédition en plus d'une copie de la preuve d'achat (facture, feuillet de carte de crédit, etc.). Votre accessoire de batteur sur socle de remplacement sera retourné à frais prépayés et assuré. Si le service que vous obtenez de cette manière n'est pas satisfaisant, appelez notre centre d'expérience clientèle sans frais au 1-800-807-6777. Ou écrivez à :

Centre d'expérience clientèle
KitchenAid Canada
200 - 6750 Century Ave.
Mississauga, Ontario L5N 0B7

Comment obtenir le service sous garantie à Puerto Rico

Votre(vos) accessoire(s) de batteur sur socle est couvert par une garantie limitée d'un an à partir de la date d'achat. KitchenAid paiera les pièces de rechange et les frais de main-d'œuvre de réparation pour corriger les problèmes de matériaux et de main-d'œuvre. Le service de réparation doit être effectué par un Centre de service autorisé KitchenAid.

Apportez votre(vos) accessoire(s) de batteur sur socle ou expédiez-le(s) à frais prépayés

et assuré(s) à un centre de service autorisé KitchenAid. Votre(vos) accessoire(s) de batteur sur socle réparé(s) sera(seront) retourné(s) à frais prépayés et assuré(s). Si vous êtes incapable d'obtenir un service satisfaisant de cette manière, veuillez composer le numéro sans frais de 1-800-541-6390 pour connaître l'emplacement d'un centre de service près de chez vous.

Comment obtenir le service après la fin de la garantie - tous les endroits

Pour l'information de service dans les 50 États américains, le District de Columbia, et Puerto Rico,

composez le numéro sans frais 1-800-541-6390.

Ou écrivez à :

Centre de satisfaction de la clientèle
KitchenAid Portable Appliances
P.O. Box 218
St. Joseph, MI 49085-0218

Ou contactez un Centre de service autorisé près de chez vous.

Pour l'information de service au

Canada, composez le numéro sans frais

1-800-807-6777.

Ou écrivez à :

Centre d'Expérience clientèle
KitchenAid Canada
200 - 6750 Century Ave.
Mississauga, Ontario L5N 0B7

Comment obtenir le service à l'extérieur de ces endroits

Consultez votre détaillant local KitchenAid ou le magasin où vous avez acheté l'accessoire de batteur sur socle pour obtenir de l'information pour obtenir le service.

Pour l'information de service au Mexique,

Composez le numéro sans frais

01-800-024-17-17
(JV Distribuciones)

Ou

01-800-902-31-00
(Industrias Birtman)

Comment commander des accessoires et des pièces de rechange

Pour commander des accessoires ou des pièces de rechange pour votre accessoire de batteur sur socle dans les 50 États américains, dans le District de Columbia et à Puerto Rico,

Composez le numéro sans frais 1-800-541-6390 du lundi au vendredi, de 8 h à 20 h (heure de l'est), ou le samedi, de 10 h à 17 h.

Ou écrivez à :
Centre de satisfaction de la clientèle
KitchenAid Portable Appliances
P.O. Box 218
St. Joseph, MI 49085-0218

Pour commander des accessoires ou des pièces de rechange pour votre accessoire de batteur sur socle au Canada,

appelez le numéro sans frais 1-800-807-6777.

Ou écrivez à :
Centre d'expérience clientèle
KitchenAid Canada
200 - 6750 Century Ave.
Mississauga, Ontario L5N 0B7

Pour commander des accessoires ou des pièces de rechange pour votre accessoire de batteur sur socle au Mexique,

Composez le numéro sans frais

01-800-024-17-17
(JV Distribuciones)

Ou

01-800-902-31-00
(Industrias Birtman)

Índice

INTRODUCCIÓN

Comprobante de compra	Dentro de la portada
Aviso de seguridad de los aditamentos para la batidora con base	34
Salvaguadas importantes	34

CARACTERÍSTICAS Y FUNCIONAMIENTO

Cómo conectar los aditamentos a la batidora con base	35
Antes de sujetar el aditamento a la batidora con base.....	35
Aditamento de molino de alimentos.....	35
Cómo armar el aditamento de molino de alimentos.....	35
Cómo usar el aditamento de molino de alimentos.....	36
Cómo limpiar el aditamento de molino de alimentos.....	36
Aditamento de colador de frutas y vegetales	37
Cómo armar el aditamento de colador de frutas y vegetales.....	37
Cómo usar el aditamento de colador de frutas y vegetales	38
Cómo extraer jugo de frutas y vegetales	38
Cómo limpiar el aditamento de colador de frutas y vegetales	38
Aditamento de bandeja para alimentos	39
Cómo colocar el aditamento de bandeja para alimentos	39
Cómo usar el aditamento de bandeja para alimentos	39
Cómo limpiar el aditamento de bandeja para alimentos	39

Índice

RECETAS

Salsa ahumada	40
Albóndigas suecas con salsa de crema	41
Salsa boloñesa	42
Pesto	43
Chutney de durazno	43
Mantequilla de manzana	44
Paté de garbanzos	44

INFORMACIÓN DE GARANTÍA Y SERVICIO

Garantía de los aditamentos para batidora con base KitchenAid®	45
Garantía de reposición sin problemas – En los 50 estados de los Estados Unidos y en el Distrito de Columbia	46
Garantía de reposición sin problemas – Canadá	46
Cómo obtener servicio de la garantía en Puerto Rico	46
Cómo obtener servicio después de que finalice la garantía - Todas las ubicaciones	47
Cómo obtener servicio fuera de estas ubicaciones	47
Cómo obtener accesorios y refacciones	47

Aviso de seguridad de los aditamentos para la batidora con base

Su seguridad y la seguridad de los demás es muy importante.

Hemos incluido muchos mensajes importantes de seguridad en este manual y en su electrodoméstico. Lea y obedezca siempre todos los mensajes de seguridad.



Este es el símbolo de advertencia de seguridad.

Este símbolo le llama la atención sobre peligros potenciales que pueden ocasionar la muerte o una lesión a usted y a los demás.

Todos los mensajes de seguridad irán a continuación del símbolo de advertencia de seguridad y de la palabra "PELIGRO" o "ADVERTENCIA". Estas palabras significan:

PELIGRO

Si no sigue las instrucciones de inmediato, usted puede morir o sufrir una lesión grave.

ADVERTENCIA

Si no sigue las instrucciones, usted puede morir o sufrir una lesión grave.

Todos los mensajes de seguridad le dirán el peligro potencial, le dirán cómo reducir las posibilidades de sufrir una lesión y lo que puede suceder si no se siguen las instrucciones.

SALVAGUARDAS IMPORTANTES

Al utilizar aparatos eléctricos, debe seguir las precauciones básicas de seguridad, entre las que se incluyen las siguientes:

1. Lea todas las instrucciones.
2. Para protegerse del riesgo de una descarga eléctrica, no introduzca la batidora en agua u otros líquidos.
3. Es necesaria una supervisión estricta cuando cualquier aparato es utilizado por un niño o si hay niños alrededor.
4. Desenchufe el aparato de la toma de corriente antes de ponerle o quitarle partes y antes de limpiarlo.
5. Evite tocar las partes que estén en movimiento. Aleje los dedos de la abertura de descarga.
6. No utilice la batidora con cables o enchufes dañados o si la batidora no ha funcionado correctamente, ha sufrido caídas o si presenta algún tipo de daño. Devuelva la batidora al Centro de servicio autorizado más cercano para su revisión, reparación o ajuste eléctrico o mecánico.
7. El uso de aditamentos no recomendados o que no sean de KitchenAid puede provocar incendios, descargas eléctricas o lesiones.
8. No utilice la batidora en exteriores.
9. No deje colgando el cable del filo de la mesa o del mostrador.
10. Nunca introduzca los alimentos con la mano. Siempre utilice la pieza combinada llave/empujador de alimentos.
11. Las cuchillas son filosas. Manéjelas con cuidado.
12. Este producto está diseñado exclusivamente para uso doméstico.

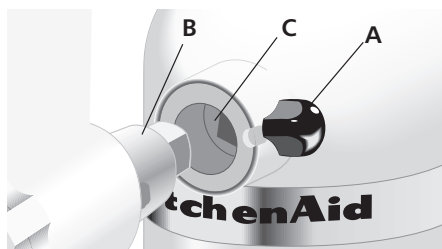
CONSERVE ESTAS INSTRUCCIONES

Cómo conectar los aditamentos a la batidora con base

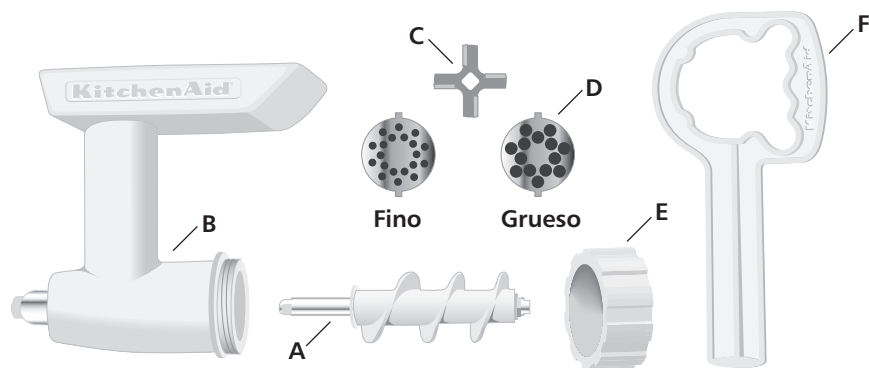
Antes de sujetar el aditamento a la batidora con base

1. Ponga el control de la velocidad de la batidora con base en OFF (Apagado).
2. Desconecte la batidora o la corriente.
3. Afloje la perilla para aditamentos (A) girándola en sentido contrario a las manecillas del reloj.
4. Quite o levante la tapa del receptáculo para aditamentos.
5. Introduzca el alojamiento del eje (B) del aditamento dentro del receptáculo para aditamentos (C) de la batidora; asegúrese que el eje encaje en la cavidad cuadrada del receptáculo.
6. Gire el aditamento hacia adelante y hacia atrás en caso de ser necesario.

- Cuando el aditamento se encuentre en su posición adecuada, la clavija en el alojamiento del aditamento se ajustará en la ranura del borde del receptáculo.
7. Apriete la perilla para aditamentos hasta que el aditamento se haya fijado completamente a la batidora.



Aditamento de molino de alimentos



Cómo armar el molino de alimentos

1. Inserte las espas (A) en la pieza principal del molino (B).
2. Coloque la cuchilla (C) en la varilla cuadrada que está en el lado de las espas que queda expuesto.
3. Coloque el disco para moler (D) sobre la cuchilla, haciendo que las lengüetas del disco embonen con las muescas de la pieza principal del molino.
4. Coloque el anillo (E) en la pieza principal del molino y gírelo hasta que quede fijo pero no apretado.

NOTA: La pieza combinada llave/empujador de alimentos (F) se utiliza únicamente para retirar el anillo (E). No la use para apretar el anillo (E).

NOTA: El colador de frutas y vegetales (Modelo FVSP) puede convertir al molino en colador de jugos de frutas y vegetales. El embudidor de salchichas (SSA) puede convertir su molino de alimentos en un embudidor de salchichas.

Aditamento de molino de alimentos

Cómo usar el molino de alimentos

ADVERTENCIA



Peligro con las Cuchillas Giratorias

Siempre utilice el empujador de alimentos.

Mantenga los dedos fuera de las aberturas.

Mantenga fuera del alcance de los niños.

No seguir estas instrucciones puede ocasionar amputaciones o cortaduras.

1. Corte la carne en pequeñas tiras o trozos y colóquela en la tolva. La carne se debe cortar en tiras delgadas y largas.
2. Ponga la batidora en la velocidad 4 e introduzca el alimento en la tolva utilizando la pieza combinada llave/empujador de alimentos.

NOTA: Puede aparecer líquido en la tolva cuando se procesan grandes cantidades de alimentos con alto contenido de agua, como los tomates o las uvas. Para vaciar el líquido, continúe utilizando la batidora. Para evitar que se dañe la batidora, no procese más alimentos hasta que se haya vaciado el líquido de la tolva.



Disco grueso – Utilícelo para moler carne cruda o cocida, vegetales sólidos, frutas secas y queso.



Disco fino – Utilícelo para moler carne cruda, carne cocida para patés y migajas de pan.

Para moler carne – Para obtener una mejor mezcla y resultados más suaves, muele la carne de res dos veces. Se obtiene una mejor textura si se muele la carne muy fría o parcialmente congelada. Las carnes muy grasosas se deben moler sólo una vez.

Para moler pan – Si desea moler pan para hacer migajas, asegúrese de haber secado el pan muy bien en el horno a fin de quitarle toda la humedad, o bien que no esté nada seco. Si el pan está parcialmente seco, podría atascar el molino de alimentos.

NOTA: No use el molino de alimentos para moler alimentos muy duros y densos, como el pan hecho en casa totalmente seco. El pan hecho en casa se debe moler cuando esté fresco y luego debe secarse en el horno o al aire.

Para aflojar el anillo – Si no puede quitar el anillo con la mano porque está muy apretado, deslice la pieza combinada llave/empujador de alimentos sobre las muescas y gire en sentido contrario a las manecillas del reloj.

NOTA: Para evitar que se dañe el aditamento de molino de alimentos, no utilice la pieza combinada llave/empujador de alimentos para apretar el anillo en la pieza principal del molino.

Cómo limpiar el aditamento de molino de alimentos

Primero, desarme el aditamento de molino de alimentos.

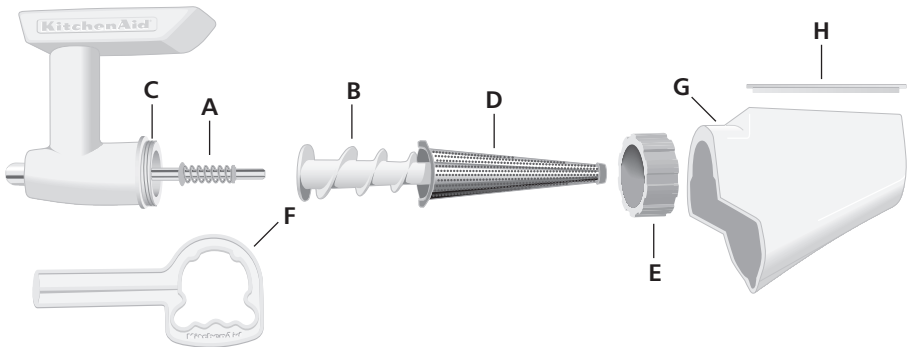
Las siguientes partes se pueden lavar en un lavavajillas:

- Pieza principal del molino
- Aspas del molino
- Anillo
- Pieza combinada llave/empujador de alimentos

Las siguientes partes se deberán lavar a mano con agua jabonosa tibia y se deben secar perfectamente:

- Cuchilla
- Disco para moler

Aditamento de colador de frutas y vegetales



Cómo amar el colador de frutas y vegetales

1. Deslice el extremo más pequeño del ensamblaje del eje y del resorte (A) en la abertura de las aspas más grandes (B) hasta que estén bien sujetadas en su lugar.
2. Inserte las aspas más grandes en la pieza principal del molino (C).
3. Sujete el colador en forma de cono (D) en el lado expuesto de las aspas y haga que las lengüetas del cono embonen con las muescas de la pieza principal del molino.
4. Coloque el anillo (E) en la pieza principal del molino y gírelo manualmente hasta que esté firme pero no demasiado apretado.

NOTA: La pieza combinada llave/empujador de alimentos (F) se utiliza únicamente para retirar el anillo (E). No la use para apretar el anillo (E).

5. Deslice la bandeja del colador (G) sobre el cono y asegúrela en la parte superior del anillo.
6. Coloque la barrera para salpicaduras (H) en la bandeja del colador.

Aditamento de colador de frutas y vegetales

Cómo usar el aditamento de colador de frutas y vegetales

⚠ ADVERTENCIA



Peligro con las Cuchillas Giratorias

Siempre utilice el empujador de alimentos.

Mantenga los dedos fuera de las aberturas.

Mantenga fuera del alcance de los niños.

No seguir estas instrucciones puede ocasionar amputaciones o cortaduras.

1. Una vez que haya sujetado el aditamento de colador de frutas y vegetales a la batidora, coloque el bol de la batidora bajo la bandeja del colador para recoger los alimentos extraídos y un bol más pequeño bajo el extremo abierto para recoger los desperdicios de alimentos.
2. Corte los alimentos en pedazos que quepan en la tolva.
3. Ponga la batidora en la velocidad 4 e introduzca los alimentos en la tolva utilizando la pieza combinada llave/empujador.

Cómo extraer jugo de frutas y vegetales

- Córteles en pedazos que quepan en la tolva.
- Quite la cáscara o corteza gruesa o dura, como la de las naranjas.
- Quite todos los huesos grandes, como los de los duraznos.
- Quite los cabitos o tallos, como los de las fresas y las uvas.
- Cueza todas las frutas y vegetales duros o firmes antes de utilizar el extractor.

NOTA: Puede aparecer líquido en la tolva cuando se procesan grandes cantidades de alimentos con alto contenido de agua, como los tomates o las uvas. Para vaciar el líquido, deje la batidora encendida.

Para evitar que se dañe la batidora, no procese más alimentos hasta que se haya vaciado el líquido de la tolva.

NOTA: Para evitar que se dañe el aditamento de colador de frutas y vegetales, y/o la batidora, no se deben procesar en el colador de frutas y vegetales, uvas Labruscan o del tipo que tienen cáscara resbalosa como las uvas Concord, Catawba y Ontario. Únicamente se pueden procesar las uvas de la familia Vinifera, como las variedades Tokay y Thompson sin semilla.

Cómo limpiar el aditamento de colador de frutas y vegetales

Primero desarme completamente el aditamento de colador de frutas y vegetales.

Las siguientes partes se pueden lavar en una lavavajillas:

- Pieza principal del molino
- Aspas del molino
- Colador en forma de cono
- Bandeja del colador
- Barrera para evitar salpicaduras
- Anillo
- Pieza combinada llave/empujador de alimentos

Las siguientes partes se deberán lavar a mano con agua jabonosa tibia y se deben secar perfectamente:

- Ensamblaje del eje y resorte

Algunos alimentos pueden manchar ciertas partes de la batidora. Estas manchas pueden quitarse de dos maneras: (1) coloque las piezas que sean lavables en la lavavajillas en la misma y utilice el ciclo para vajilla con suciedad normal, o (2) frote una pequeña cantidad de aceite o manteca sobre las manchas, lave en agua tibia jabonosa y enjuague. Se puede utilizar un cepillo para botellas pequeño para quitar la pulpa del colador en forma de cono.

Aditamento de colador de frutas y vegetales

Para aflojar el anillo –Si no puede quitar a mano el anillo porque está demasiado apretado, deslice la pieza combinada llave/empujador de alimentos sobre las ranuras y gírela en dirección contraria a las manecillas del reloj.

NOTA: Para evitar que se dañe el aditamento de colador de frutas y vegetales, no utilice la pieza combinada llave/empujador de alimentos para apretar el anillo a la pieza principal del molino.

Existen piezas para el aditamento de colador de frutas y vegetales (Modelo FVSP) que pueden convertir un molino de alimentos modelo FGA en un colador de frutas y vegetales.

Aditamento de bandeja para alimentos



Cómo colocar el aditamento de bandeja para alimentos

Antes de sujetar el aditamento de bandeja para alimentos:

1. Ponga el control de la velocidad de la batidora con base en OFF (Apagado).
2. Desconecte la batidora o la corriente. El aditamento de bandeja para alimentos está diseñado para usarse con los aditamentos de molino de alimentos (modelo FGA) y de colador de frutas y vegetales (modelo FVSFGA).
3. Coloque el aditamento de molino de alimentos o colador de frutas y vegetales en la batidora.
4. Deslice el frente del aditamento de bandeja para alimentos hacia el frente, sobre la parte posterior de la tolva hasta que se quede firme en su lugar.

Cómo usar el aditamento de bandeja para alimentos

⚠ ADVERTENCIA



Peligro con las Cuchillas Giratorias

Siempre utilice el empujador de alimentos.

Mantenga los dedos fuera de las aberturas.

Mantenga fuera del alcance de los niños.

No seguir estas instrucciones puede ocasionar amputaciones o cortaduras.

1. Llene el aditamento de bandeja para alimentos con comida cortada en pedazos que quepan en la tolva.
2. Ponga la batidora en la velocidad 4 e introduzca los alimentos en la tolva utilizando la pieza combinada llave/empujador.

Cómo limpiar el aditamento de bandeja para alimentos

Lávelo en agua jabonosa caliente. Si lo desea, lo puede lavar en la canasta superior de la lavavajillas.

Salsa ahumada

- 4 *tomates grandes, pelados y cortados en 6 trozos*
- 1 *ó 2 chiles chipotle*
- 1 *cebolla mediana, cortada en 6 trozos*
- 1 *diente de ajo*
- $\frac{1}{3}$ *taza (80 ml) de vinagre*
- 1 *cucharadita (5 ml) de sal*

Arme el molino de alimentos y utilice el disco para moler grueso. Conecte el molino de alimentos a la batidora. Ponga la batidora en velocidad 4 y muele los tomates, los chiles, la cebolla y el ajo en un recipiente grande o en una sartén que haya colocado debajo del molino. Agregue todos los demás ingredientes y mezcle bien. Para lograr una consistencia más espesa, caliente la mezcla hasta que hierva en una sartén. Baje la temperatura. Deje cocinar de 5 a 10 minutos o hasta que tenga la consistencia que usted desea.

Consejo: Los chiles chipotle son jalapeños secos y curados. Si no los puede conseguir, sustitúyalos con chiles jalapeños frescos y agregue una gota de sazón ahumado líquido.

Rinde: 20 porciones (2 cucharadas [30 ml] por porción).

Por porción: Aproximadamente 8 calorías, 0 g de proteínas, 2 g de carbohidratos, 0 g de grasa, 0 mg de colesterol, 109 mg de sodio.

Albóndigas suecas con salsa blanca

Albóndigas suecas

- 1 libra (455 g) de bistec de rueda deshuesado, cortado en tiras de aproximadamente 1" (2,5 cm)
- 1/2 libra (225 g) de ternera deshuesada cortada en tiras de aproximadamente 1" (2,5 cm)
- 1 cebolla mediana, cortada en 6 trozos
- 2 rebanadas de pan integral en pedazos
- 1 cucharadita (5 ml) de sal
- 1/2 cucharadita (2 ml) de nuez moscada
- 1/4 cucharadita (1 ml) de pimienta de Jamaica
- 1/4 cucharadita (1 ml) de pimienta negra
- 1/4 de taza (60 ml) sustituto de huevo sin grasa o 1 huevo
- 1/2 taza (120 ml) de leche descremada

Salsa de crema

- 1/4 de taza (60 ml) del jugo de las albóndigas o de margarina o mantequilla
- 1/4 taza (60 ml) de harina
- 2 tazas (475 ml) de leche entera
- 2 cucharaditas (10 ml) de caldo de res en gránulos
- 1/8 cucharadita (0,5 ml) de pimienta negra

Arme el molino de alimentos y utilice el disco para moler fino. Conecte el molino de alimentos a la batidora. Póngalo en velocidad 4 y muele el bistec de rueda, la ternera, la cebolla y el pan en un recipiente que haya colocado debajo del molino. (Regrese la mezcla al molino y muele una o dos veces más para que las albóndigas queden muy finas.) Agregue todos los demás ingredientes y mezcle bien.

Forme albóndigas de aproximadamente 1" (2,5 cm) y acomódelas en bandejas para hornear de 15 1/2 x 10 1/2 x 1" (38,8 x 26,3 x 2,5 cm). Hornee a 450 °F (230 °C) durante 15 minutos, o hasta que se dore y ya no se vea rosa en el centro.

Mientras se hornean las albóndigas, prepare la salsa de crema. Caliente el jugo de carne o derrita la margarina en una sartén grande. Agregue la harina y mueva hasta que empiece a burbujear. Vaya mezclando todos los demás ingredientes lentamente. Cueza a temperatura media-baja hasta que la mezcla se espese y empiece a burbujear. Agregue la salsa a las albóndigas suecas.

Sirva las albóndigas como entremés o combínelas con fideos cocidos como plato principal.

Rinde: 20 raciones para entremés (4 albóndigas por porción) o 10 raciones como plato principal (8 albóndigas por porción).

Por porción como entremés: Aproximadamente 86 calorías, 9 g de proteínas, 5 g de carbohidratos, 3 g de grasa, 28 mg de colesterol, 247 mg sodio.

Por porción como plato principal: Aproximadamente 173 calorías, 19 g de proteínas, 9 g de carbohidratos, 6 g de grasa, 56 mg de colesterol, 494 mg de sodio.

Salsa boloñesa

- 2 cucharadas soperas (30 ml) de aceite de oliva
- 2 zanahorias peladas y cortadas en trozos de aproximadamente 1" (2,5 cm)
- 2 tallos de apio cortados en trozos de 1" (2,5 cm)
- 1 cebolla grande cortada en 8 trozos
- ¹/₄ de taza (60 ml) de ramitos de perejil
- ¹/₂ libra (680 g) de carne de res molida
- ¹/₂ libra (225 g) de carne de puerco molida
- 3 dientes de ajo
- 6 tomates maduros grandes cortados en 6 trozos
- 1 cucharadita (5 ml) de albahaca
- 1 cucharadita (5 ml) de orégano
- 1 hoja de laurel
- ¹/₂ cucharadita (7 ml) de sal
- ¹/₄ cucharadita (1 ml) de pimienta
- ¹/₄ taza (60 ml) de agua
- ¹/₄ taza de (60 ml) vino tinto seco

Caliente el aceite en una sartén honda de 12" (30 cm) con temperatura media. Agregue las zanahorias, el apio, la cebolla, el perejil, la carne de res molida, la carne de puerco molida y el ajo. Saltee durante 20 minutos. Retire la mezcla de la estufa y deje enfriar durante 10 minutos.

Arme el molino de alimentos utilizando el disco para moler grueso y conéctelo a la batidora. Ponga en velocidad 4 y muele la mezcla en una cacerola de 6 cuartos de galón (5,7 L).

Arme el colador de frutas y vegetales y conéctelo a la batidora. Ponga en velocidad 4 y saque el jugo a los tomates. Mida 4 tazas (945 ml) de puré. Agregue el puré de tomate, la albahaca, el orégano, la hoja de laurel, la sal, la pimienta, la pasta de tomate, el agua y el vino a la mezcla de carne. Tápelolo y hierva a fuego lento con temperatura media-baja durante una hora.

Rinde: 2 cuartos de galón (1,9 L).

Por porción: (¹/₂ taza [120 ml]) Aproximadamente 330 calorías, 22 g de proteínas, 8 g de carbohidratos, 23 g de grasa, 77 mg de colesterol, 534 mg de sodio.

Pesto

- 2 tazas (475 ml) de hojas de albahaca frescas
- 1 taza (235 ml) de ramitos de perejil
- 8 dientes de ajo
- 1 cucharadita (5 ml) de sal
- 1/2 cucharadita (2 ml) de pimienta
- 1 taza (235 ml) de queso parmesano
- 1/2 taza (120 ml) de aceite de oliva

Arme el molino de alimentos utilizando el disco para moler fino y conéctelo a la batidora. Ponga en velocidad 4 y muele las hojas de albahaca, los ramitos de perejil y el ajo en el recipiente de la batidora. Agregue la sal, la pimienta y el queso parmesano. Coloque el bol y el batidor de alambre. Ponga en velocidad 6 y bata durante 1 minuto. Detenga la batidora y quite la mezcla de las orillas del bol. Ponga en velocidad 8 y agregue lentamente el aceite de oliva de manera que se mantenga un chorro constante y delgado, y bata hasta que se absorba. Utilice aproximadamente 2 cucharadas soperas (30 ml) de pesto por porción de pasta.

Consejo: Si no utiliza todo el pesto de una vez, colóquelo en un frasco y cúbralo con una capa delgada de aceite de oliva para que no se oscurezca. Refrigérelolo durante una semana o congélelo para conservarlo más tiempo.

Rinde: 2 tazas (475 ml)

Chutney de durazno

- 4 duraznos grandes, pelados y cortados en trozos o los que vengan en 1 paquete (16 onzas [455 g]) de duraznos congelados, descongelados
- 1/2 taza (120 ml) de vinagre
- 2 cucharadas soperas (30 ml) de cebolla finamente picada
- 1/4 taza (60 ml) de trozos pequeños de frutas secas
- 1/2 taza (120 ml) de piloncillo
- 1/4 taza (60 ml) de azúcar
- 2 cucharadas soperas (30 ml) de jengibre cristalizado finamente picado
- 1/4 cucharadita (1 ml) de clavo
- 1/4 cucharadita (1 ml) de pimienta de Jamaica

Arme el colador de frutas y vegetales y conéctelo a la batidora. Ponga en velocidad 4 y saque el jugo de los duraznos en una sartén grande que haya puesto debajo del extractor. Agregue todos los demás ingredientes. Caliente hasta que hierva. Baje la temperatura. Cocine durante 20 minutos o hasta que espese, revolviendo frecuentemente.

Rinde: 24 porciones (1 cucharada [15 ml] por porción).

Por porción: Aproximadamente 40 calorías, 0 g de proteínas, 11 g de carbohidratos, 0 g de grasa, 0 mg de colesterol, 3 mg de sodio.

Mantequilla de manzana

- 3 libras (1,5 Kg) de manzanas cortadas en cuartos
- ³/₄ taza (175 ml) de sidra de manzana
- ¹/₂ taza (120 ml) de vinagre
- 2 tazas (475 ml) de azúcar
- 2 cucharaditas (10 ml) de canela
- ¹/₂ cucharadita (2 ml) de clavo
- ¹/₂ cucharadita (7 ml) de pimienta de Jamaica

Coloque las manzanas, la sidra y el vinagre en una sartén grande o en una olla grande de hierro. Cocine a temperatura media durante aproximadamente 15 minutos, o hasta que esté muy suave, revolviendo ocasionalmente.

Arme el colador de frutas y vegetales y conéctelo a la batidora. Ponga en velocidad 4 y saque el jugo de las manzanas cocidas en el recipiente de la batidora que haya puesto debajo del extractor. Regrese las manzanas a la sartén. Agregue el azúcar y las especias y mezcle bien. Cocine con la temperatura baja hasta que se disuelva el azúcar, revolviendo constantemente. Cueza 15 a 20 minutos más o hasta que espese, revolviendo frecuentemente. Coloque en frascos calientes esterilizados de ¹/₂ pinta (235 ml). Ponga a baño maría durante 10 minutos. Retire los frascos del agua. Deje enfriar y revise que se hayan cerrado herméticamente.

Rinde: Aproximadamente 5 tazas (1,2 L)
(2 cucharaditas [10 ml] por porción).

Por porción: Aproximadamente 21 calorías, 0 g de proteínas, 5 g de carbohidratos, 0 g de grasa, 0 mg de colesterol, 0 mg de sodio.

Paté de garbanzos

- 1 lata (20 onzas [565 g]) de garbanzos, sin agua
- ¹/₄ taza (60 ml) de agua fría
- ¹/₄ taza (60 ml) de jugo de limón fresco
- ¹/₄ taza (60 ml) de pasta de semillas de ajonjolí
- 3 dientes de ajo, picados
- ¹/₂ cucharadita (2 ml) de sal
- ¹/₄ de cucharadita (1 ml) de páprika (opcional)

Arme el colador de frutas y vegetales y conéctelo a la batidora. Póngala en velocidad 4 y extraiga el líquido de los garbanzos en el recipiente de la batidora. Regrese el bagazo a los garbanzos a los que sacó el líquido.

Agregue el agua, el jugo de limón, la pasta de las semillas de ajonjolí, el ajo, la sal y la páprika. Coloque el tazón y el batidor de alambre en la batidora. Póngala en velocidad 4 y bata durante 1 minuto. Detenga la batidora y quite la mezcla de las orillas del recipiente. Suba a velocidad 10 y bata durante 1 minuto o hasta que tenga una textura tersa. Sírvalo con pan pita.

Rinde: 2 tazas (475 ml)

Por porción: (2 cucharaditas [30 ml]) Aproximadamente 66 calorías, 2 g de proteínas, 9 g de carbohidratos, 2 g de grasa, 0 mg de colesterol, 180 mg de sodio.

Garantía de los aditamentos para batidora con base KitchenAid®

Duración de la garantía:	KitchenAid pagará:	KitchenAid no le pagará por:
<p>En los 50 estados de los Estados Unidos, en el Distrito de Columbia, en Canadá y Puerto Rico: Un año de garantía limitada a partir de la fecha de compra.</p>	<p>En los 50 estados de los Estados Unidos, el Distrito de Columbia y Canadá: Reposición sin problemas del aditamento para la batidora con base. Lea la página siguiente para obtener detalles sobre cómo obtener una reposición. O En Puerto Rico: Las refacciones y los costos de reparación para corregir defectos de materiales y mano de obra. Un Centro de servicio autorizado de KitchenAid debe proporcionar el servicio. Para obtener servicio técnico, siga las instrucciones en la sección "Cómo obtener servicio de la garantía en Puerto Rico".</p>	<p>A. Las reparaciones cuando el aditamento para batidora con base se utiliza en forma distinta al uso normal doméstico de una familia. B. Los daños que resulten de un accidente, alteración, uso inapropiado o abuso o utilización con productos no aprobados por KitchenAid. C. Refacciones o costos de reparación del aditamento para la batidora con base al utilizarlo fuera del país de compra.</p>

LIBERACIÓN DE RESPONSABILIDAD POR GARANTÍAS IMPLÍCITAS; LIMITACIÓN DE RECURSOS LAS GARANTÍAS IMPLÍCITAS, INCLUIDAS EN LA MEDIDA DE LO POSIBLE LAS GARANTÍAS DE COMERCIALIZACIÓN O CAPACIDAD PARA UN PROPÓSITO ESPECÍFICO, SE EXCLUYEN EN LA EXTENSIÓN PERMITIDA POR LA LEY. CUALQUIER GARANTÍA IMPLÍCITA QUE LA LEY PUDIERA IMPONER SE LIMITARÁ A UN AÑO O AL PERÍODO MÁS CORTO PERMITIDO POR LA LEY. ALGUNOS ESTADOS Y PROVINCIAS NO PERMITEN LIMITACIONES O EXCLUSIONES SOBRE LA DURACIÓN DE UNA GARANTÍA IMPLÍCITA DE COMERCIALIZACIÓN O CAPACIDAD, POR LO QUE ES POSIBLE QUE LAS LIMITACIONES O EXCLUSIONES MENCIONADAS ARRIBA NO SEAN APLICABLES EN SU CASO.

SI EL PRODUCTO NO FUNCIONA DE ACUERDO CON LA GARANTÍA, EL ÚNICO Y EXCLUSIVO RECURSO DEL CLIENTE SERÁ LA REPARACIÓN O LA REPOSICIÓN DE ACUERDO CON LOS TÉRMINOS DE ESTA GARANTÍA LIMITADA. KITCHENAID Y KITCHENAID CANADA NO ASUMEN NINGUNA RESPONSABILIDAD POR DAÑOS IMPREVISTOS O RESULTANTES. Esta garantía le otorga derechos legales específicos, además de que usted puede tener otros derechos que varían de estado a estado o de provincia a provincia.

Garantía de reposición sin problemas – En los 50 estados de los Estados Unidos y en el Distrito de Columbia

Tenemos tanta confianza en que la calidad de nuestros productos cumple con los exigentes estándares de KitchenAid que, si su aditamento para batidora con base deja de funcionar dentro del primer año después de la compra, KitchenAid se encargará de entregarle sin cargo un artículo igual o comparable en su domicilio, y se encargará de que usted nos devuelva su aditamento para la batidora con base original. Su unidad de reposición también estará protegida por nuestra garantía limitada de un año. Por favor siga estas instrucciones para recibir este servicio de calidad.

Si su aditamento para la batidora con base KitchenAid® se descompusiera dentro del primer año a partir de la fecha de compra,

sencillamente hable con nuestro Centro de satisfacción al cliente sin cargo al 1-800-541-6390 de lunes a viernes, de 8 a.m. a 8 p.m. (Hora del Este), o los sábados, de 10 a.m. a 5 p.m. Proporcione al agente su dirección de envío completa. (Por favor, recuerde que no enviamos a apartados postales.)

Cuando reciba su aditamento de reemplazo para la batidora con base, utilice la caja de cartón para empacar su(s) aditamento(s) para la batidora con base original(es). En la caja de cartón incluya su nombre y dirección en una hoja de papel junto con una copia del comprobante de compra (recibo de la caja registradora, recibo de tarjeta de crédito, etc.).

Garantía de reposición sin problemas – Canadá

Tenemos tanta confianza en que la calidad de nuestros productos cumple con los exigentes estándares de la marca KitchenAid que, si su aditamento para la batidora con base deja de funcionar dentro del primer año después de la compra, KitchenAid Canada sustituirá su aditamento para la batidora con base con un artículo igual o comparable. Su unidad de reposición también estará protegida por nuestra garantía limitada de un año. Por favor siga estas instrucciones para recibir este servicio de calidad.

En caso de que su aditamento para la batidora con base KitchenAid® falle durante el primer año a partir de la fecha de compra, llévelo o envíelo a un Centro de servicio

autorizado KitchenAid Canada. En la caja de cartón, incluya su nombre y dirección en una hoja de papel junto con una copia del comprobante de compra (recibo de la caja registradora, recibo de tarjeta de crédito, etc.). Su aditamento de reemplazo para la batidora con base se le devolverá con franqueo y seguro pagados. Si no puede obtener un servicio satisfactorio de esta manera, llame a nuestro número gratuito del centro para la eXperiencia del cliente al 1-800-807-6777. O escribanos a:

Customer eXperiencia Centre
KitchenAid Canada
200 - 6750 Century Ave.
Mississauga, Ontario L5N 0B7

Cómo obtener servicio de la garantía en Puerto Rico

Su(s) aditamento(s) para la batidora con base está(n) protegido(s) por una garantía limitada de un año a partir de la fecha de compra. KitchenAid pagará por las refacciones y el costo de reparación para corregir los defectos en los materiales y la mano de obra. Un Centro de Servicio Autorizado de KitchenAid debe proporcionar el servicio.

Lleve el (los) aditamento(s) para la batidora con base o envíelo(s) con franqueo prepago y con seguro de envío a un Centro de servicio autorizado KitchenAid. Su(s) aditamento(s) para la batidora con base se le devolverá(n) con franqueo y seguro pagados. Si no obtiene un servicio al cliente satisfactorio, llame sin costo al 1-800-541-6390 para localizar el Centro de servicio más cercano.

Cómo obtener servicio después de que finalice la garantía – Todas las ubicaciones

Para información de servicio en los 50 estados de los Estados Unidos, en el Distrito Columbia y Puerto Rico, llame sin costo al 1-800-541-6390.

O escriba a:
Customer Satisfaction Center
KitchenAid Portable Appliances
P.O. Box 218
St. Joseph, MI 49085-0218

O comuníquese a un Centro de servicio autorizado cercano.

Para información de servicio en Canadá, llame sin costo al 1-800-807-6777.

O escriba a:
Customer eXperiencia Centre
KitchenAid Canada
200 - 6750 Century Ave.
Mississauga, Ontario L5N 0B7

Cómo obtener servicio fuera de estas ubicaciones

Consulte a su distribuidor local de KitchenAid o a la tienda donde adquirió el aditamento para la batidora con base para que le proporcionen información sobre cómo obtener servicio.

Para información de servicio en México, llame sin costo al 01-800-024-17-17 (JV Distribuciones)

O
01-800-902-31-00
(Industrias Birtman)

Cómo obtener accesorios y refacciones

Para obtener accesorios o refacciones para su aditamento para la batidora con base en los 50 estados de los Estados Unidos, el Distrito de Columbia y Puerto Rico,

llame sin costo al 1-800-541-6390 de lunes a viernes, de 8 a.m. a 8 p.m. (Hora del Este), o los sábados, de 10 a.m. a 5 p.m.

O escriba a:
Customer Satisfaction Center,
KitchenAid Portable Appliances,
P.O. Box 218,
St. Joseph, MI 49085-0218

Para ordenar accesorios o refacciones para su aditamento para la batidora con base en Canadá,

llame sin costo al 1-800-807-6777.

O escriba a:
Customer eXperiencia Centre
KitchenAid Canada
200 - 6750 Century Ave.
Mississauga, Ontario L5N 0B7

Para ordenar accesorios o refacciones para su aditamento para la batidora con base en México,

llame sin costo al 01-800-024-17-17 (JV Distribuciones)

O
01-800-902-31-00
(Industrias Birtman)

®Registered trademark/Marque déposée/Marca registrada KitchenAid, U.S.A.

™ Trademark/Marque de commerce/Marca de comercio KitchenAid, U.S.A.,

KitchenAid Canada licensee in Canada/Emploi licencié par KitchenAid Canada au Canada/
Usada en Canadá bajo licencia de KitchenAid Canada.

©2010. All rights reserved. Tous droits réservés. Todos los derechos reservados.

